

R19IK7T-PMA1

19" Intel® 7th Generation Core™ i3/i5/i7 Kaby Lake Panel Mount Panel PC



KEY FEATURES

- 12 V DC Power input
- 19" 1280 x 1024 Resolution
- DP Support 4096 x 2304 @ 60 Hz
- Flexible storage devices, one 2.5-inch HDD and one SSD
- HDMI Support 4096 x 2304 @ 24 Hz
- Intel®7th Generation Core™ i3/i5/i7 processor (Kaby Lake)
- Multiple I/Os, 2 x Serial Ports, 4 x USB 3.0 Ports

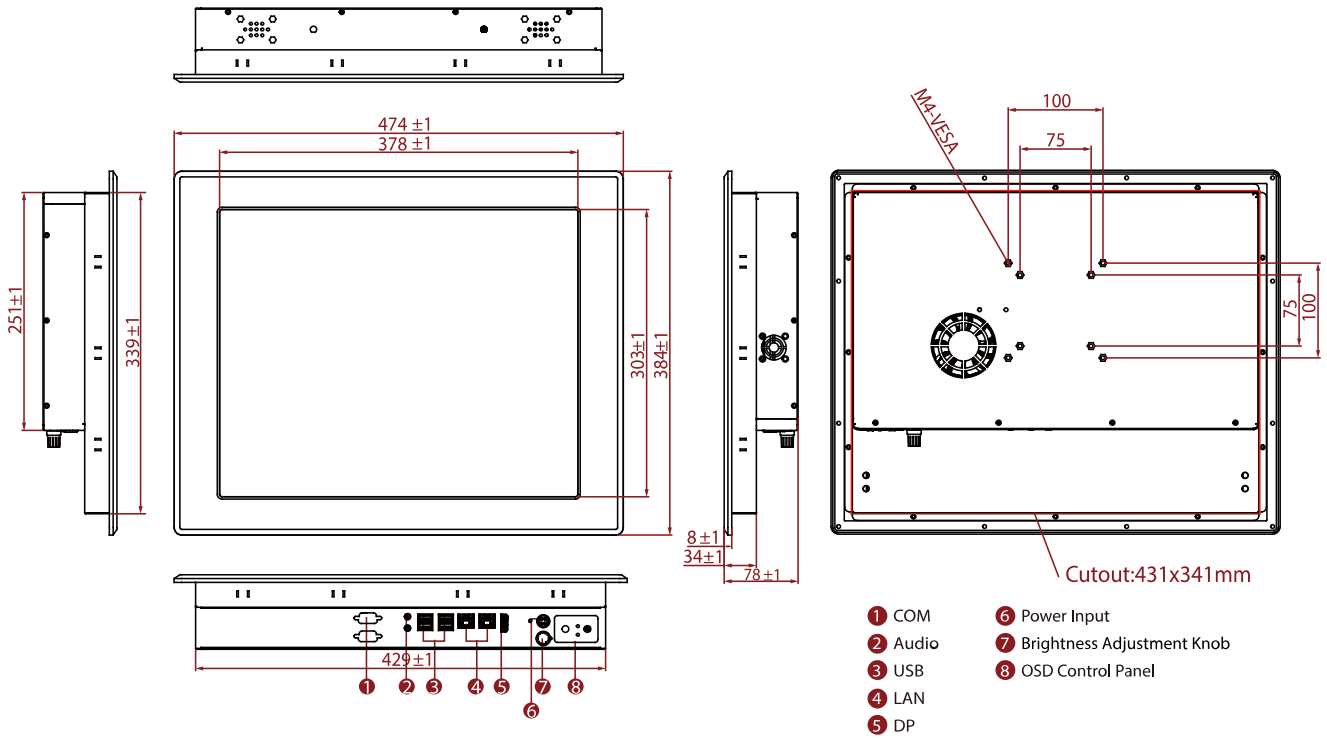


SPECIFICATIONS

Display	
Resolution	1280x1024
Contrast Ratio	1000:1
View Angles	85,85,80,80
Size	19.0 inches
Panel Brightness	400 nits
Touch / Glass	Resistive Touch Screen Protection Glass Without Touch Function (Optional)
System Specification	
Processor	Intel® Core™ i7-7700T (8M Cache, 2.9 GHz up to 3.80 GHz) Intel® Core™ i5-7500T (6M Cache, 2.7GHz up to 3.30 GHz) Intel® Core™ i3-7100T (4M Cache, 3.34 GHz)
Chipset	Intel® H170
Memory	1 x SO-DIMM, DDR4 2400 MHz, 4GB 8GB (Optional) 16GB (Optional) 2 x SO-DIMM, up to 32GB (Optional)
Storage	1 x M.2 2242 B-key SSD 64GB. M.2 2242 B-key SSD Up to 512GB. (Optional) 1 x 2.5" SSD / HDD (Optional) 2 x SATA III support RAID 0,1 (Optional)
Ethernet controller	Intel® Ethernet Controller I211-AT + Intel® Ethernet Connection I219-LM
Security	TPM 2.0
Operating System	Windows 10 IoT Enterprise (Optional) Linux Ubuntu 18.04 (Optional)
WLAN	802.11 a/b/g/n/ac (Optional)
BT	BT Support (Optional)
Mechanical	
Dimension	474 x 384 x 78 mm
Mounting	Panel mount VESA Mount
Enclosure	Metal Housing
Cooling System	Fan design
Cut out	431x341mm
Environment	
Operating Humidity	10% to 90% (non-condensing)
Operating Temperature	0~50°C
Storage Temperature	-10~60°C
Certification	
Certification	CE, FCC
IO Ports	
USB Port	4 x USB3.0 (Type-A)
Serial Port	1 x RS232/422/485 (Default RS232)

Video	1 x HDMI 1.4 1 x DP1.2 (Optional)	Audio	1 x RS232 1 x Mic in 1 x Line out 2 x Speaker
Expansion Port	2 x M.2 slot(1 for WiFi, 1 for SSD) 1 x PCIe 16 (Optional)	LAN	2 x Giga LAN RJ45 Connector
Indicator	1 x LED Indicator for power 1 x LED Indicator for storage	Brightness Knob	1 x Brightness Adjustment Knob
Control			
Button	1 x Power Button 1 x Reset Button		
Accessory			
Accessory	100~240V AC to DC Adapter Power Cord Driver CD & Manual VESA screws Mounting clips		
Power			
Power Rating	12V DC (Lockable Power Jack)	Adapter	12V 120W

DIMENSIONS UNIT:MM



NOTE

1. This is a simplified drawing and some components are not marked in detail.
2. Please contact our sales representative if you need further product information.
3. All specifications are subject to change without prior notice.
4. The product shown in this datasheet is a standard model. For diagrams that contain customized or optional I/O, please contact the Winmate Sales Team for more information.