

R15IB3S-PTC3

15" Intel® Celeron® N2930 PT Series HMI Panel PC



KEY FEATURES

- 15" 1024 x 768 with PCAP touchscreen
- Low power consumption with Intel® Celeron® N2930, 1.83 GHz
- Fanless cooling system and ultra-low power consumption
- Front IP65 for protection against water and dust
- A true flat, easy-to-clean front surface with edge-to-edge design
- Optional for Glass

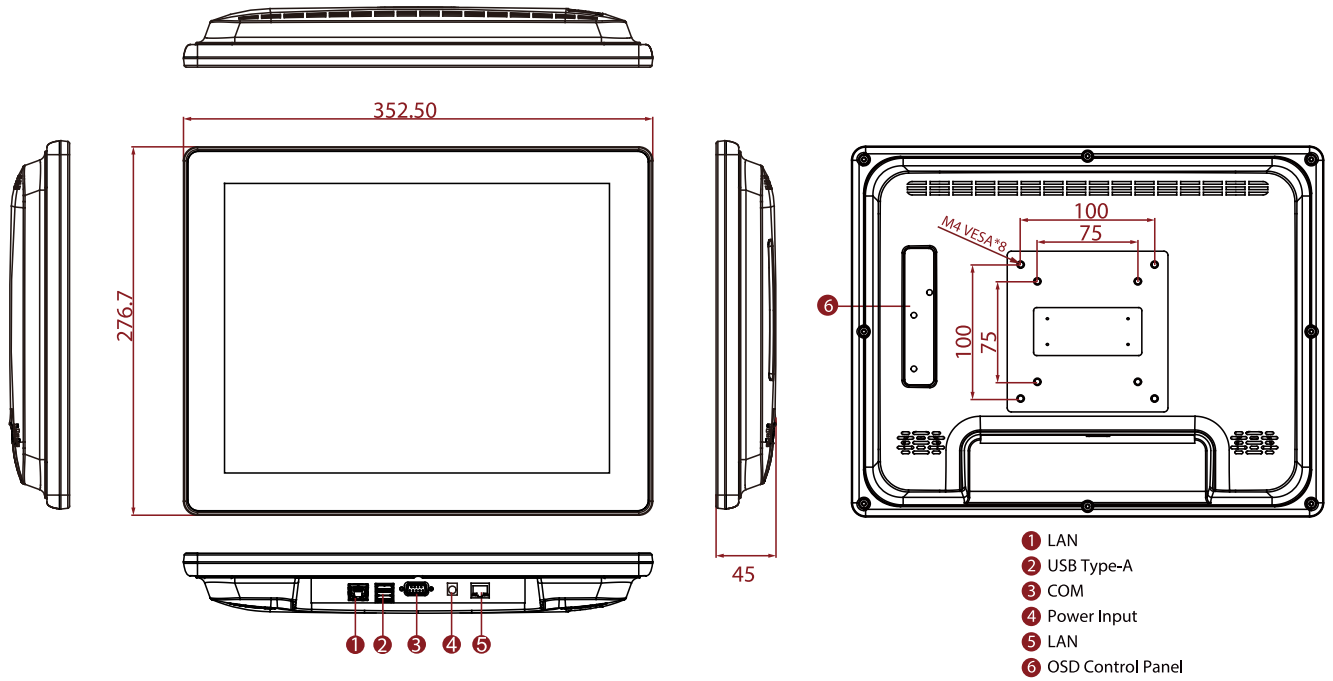


SPECIFICATIONS

Display	
Resolution	1024x768
Contrast Ratio	2000:1
View Angles	88,88,88,88
Size	15.0 inches
Panel Brightness	300 nits
Touch / Glass	Projected Capacitive Multi Touch Screen Anti-glare Coating (Optional)
System Specification	
Processor	Intel® Celeron® N2930 (2M Cache, up to 2.16 GHz)
Storage	1 x M.2 2242 SSD 64GB. M.2 2242 SSD up to 512GB. (Optional)
Security	TPM 2.0
Memory	1 x SO-DIMM, DDR3L 1600 MHz, 4GB 8GB (Optional)
Ethernet controller	2 x Intel® Ethernet Controller I210-AT
Operating System	Windows 7 Embedded Systems (Optional) Windows 10 IoT Enterprise (Optional) Linux Ubuntu 18.04 (Optional)
Environment	
Operating Humidity	10% to 90% (non-condensing)
Storage Temperature	-20~60°C
Operating Temperature	0~50°C
IP rating	Front IP65
Certification	
Certification	CE, FCC
Mechanical	
Dimension	352.5 x 276.7 x 45 mm
Enclosure	Plastic
Mounting	VESA Mount (100x100mm, 75x75mm)
Cooling System	Fanless Design
IO Ports	
USB Port	1 x USB 3.0 1 x USB 2.0
Serial Port	1 x RS-232/422/485
Audio	2 x Speaker
LAN	1 x RJ 45-10/100/1000 Mbps 1 x RJ 45-10/100/1000 Mbps with PoE (Optional)
Indicator	Power LED Indicator
Accessory	
Accessory	Driver CD Quick Start Guide(Hardcopy) AC Adapter 12V/50W Power Cord

Power			
Power Rating	12V DC in	POE	Power Device (PD), follows IEEE 802.3at (25 W)
Control			
Button	1 x Power Button 1 x Reset Button		

DIMENSIONS UNIT:MM



NOTE

1. This is a simplified drawing and some components are not marked in detail.
2. Please contact our sales representative if you need further product information.
3. All specifications are subject to change without prior notice.
4. The product shown in this datasheet is a standard model. For diagrams that contain customized or optional I/O, please contact the Winmate Sales Team for more information.