

W10L100-OFH1

10.1" Open Frame Display



KEY FEATURES

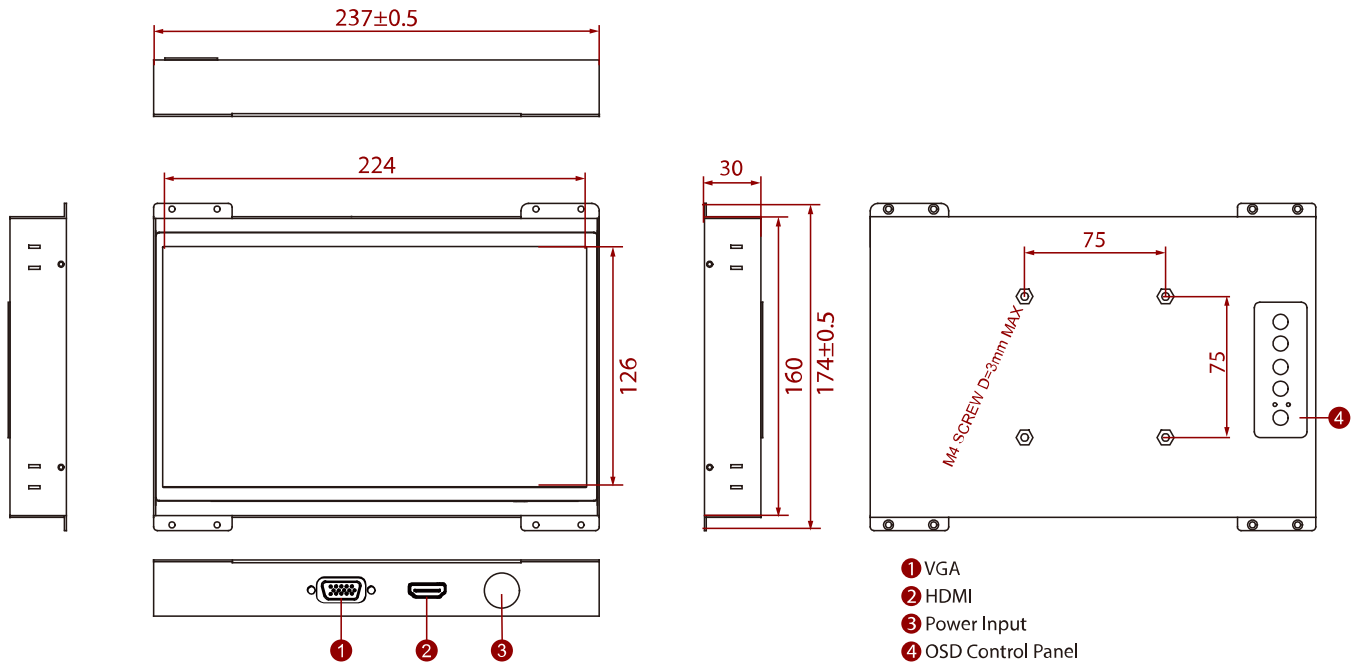
- 10.1", 1024 x 600
- Open frame
- VESA mount
- VGA and HDMI input



SPECIFICATIONS

Display			
Resolution	1024x600	Size	10.1 inches
Contrast Ratio	800:1	Panel Brightness	450 nits
Display Color	16.7M Colors	View Angles	75,80,80,80
Type	Resistive Touch Screen Protection Glass w/o Touch Function(Optional)		
Environment			
Operating Humidity	10% to 90% (non-condensing)	Operating Temperature	0~50°C
Storage Temperature	-10~60°C		
Certification			
Certification	CE, FCC		
IO Ports			
USB Port	1 x USB for Touch Screen	Video	1 x VGA 1 x HDMI(Optional) 1 x DVI (Optional)
Audio	Optional: Audio line in (3.5mm) + 2 x Speaker		
Mechanical			
Dimension	237 x 174 x 30 mm	Mounting	VESA Mount/ Panel Mount
Enclosure	Metal	Cooling System	Fanless Design
Accessory			
Accessory	1 x VGA cable 1 x HDMI cable 100~240V AC to DC Adapter Power Cord Manual VESA screws(Varies by product) Remote Controller (Optional,Varies by product)		
Power			
Power Rating	12V DC input		
Control			
Button	5 Keys: -, +, Power, Esc, Enter (with LED Indicators: Power on, Stand by)		

DIMENSIONS UNIT:MM



NOTE

1. This is a simplified drawing and some components are not marked in detail.
2. Please contact our sales representative if you need further product information.
3. All specifications are subject to change without prior notice.
4. The product shown in this datasheet is a standard model. For diagrams that contain customized or optional I/O, please contact the Winmate Sales Team for more information.