

FM07A, 7-inch Vehicle Mounted Computer

A Rugged Vehicle Mounted Computer for Data Collection in Warehouse and Logistics Applications

The FM07A, Winmate's rugged 7-inch vehicle mounted computer, brings a compact design to a leading class of vehicle-mount computers without making any compromises. The compact size of the device allows for the vehicle operator to maintain unobstructed line-of-sight during operations, increasing efficiencies and minimizing errors. The VMC contains an Android-based Freescale i.MX 6 Dual Core 1 GHz processor and a 1024 x 600 resolution P-Cap multi-touch screen to allow you to manage your data easily in a user-friendly package. The FM07A is suited for a variety of industrial applications, from warehouse management, transportation logistics, to airport ground handling operations.



Highlights

- Freescale i.MX 6 Dual Core 1 GHz Processor
- 7" 1024 x 600 panel with projected capacitive multi-touch screen
- Wide power input 9-24V DC with ignition
- M12 waterproof connectors
- IP65 waterproof and dustproof
- Wi-Fi, BT, WLAN and GPS for wireless connectivity
- Wide operating temperature range -20°C ~ 60°C
- Shock and vibration resistance according to MIL-STD-810G

FM07A, 7-inch Vehicle Mounted Computer

A Rugged Vehicle Mounted Computer for Data Collection in Warehouse and Logistics Applications

Display Specification

| | |
|----------------|----------------------------------|
| Size | 7-inch display |
| Resolution | 1024 x 600 |
| Brightness | 1000 nit |
| Touch | Projected capacitive multi-touch |
| Contrast Ratio | 700:1 |
| Viewing Angle | -75~75(H);-75~70(V) |

System Specification

| | |
|------------------|--|
| Processor | Freescale i.MX 6 Dual Core 1 GHz Processor |
| System Memory | 1GB LPDDR3 ¹ |
| Storage | 16GB eMMC |
| Operating System | Android 6.0 |

Wireless Communication

| | |
|-----------|------------------------|
| WLAN | 802.11 a/b/g/n/ac |
| Bluetooth | Bluetooth |
| GPS | u-Blox Neo-6Q |
| WWAN | Optional 4G/ LTE or 3G |

Interface

| | |
|----------|--|
| Computer | 1 x RS232 1 x Gigabit Ethernet LAN 10/100/100 Mbps (M12 type) 1 x DIDO, CANBus 1 x Power input 9-24V DC with ignition 1 x SIM Card Slot (Optional for WWAN) 2 x USB Wi-Fi Antenna Optional WWAN Antenna Optional GPS Antenna |
|----------|--|

Keyboard and Input

| | |
|----------------|---|
| Touch | Projected capacitive |
| Button | • On-screen QWERTY keyboard • Front : 5 x function key (Programmable function key configured by Winset Utility) • Top : 1 x Power button |
| LED Indicators | Power |

Audio

| | |
|---------|---|
| Speaker | 1 Watt speaker, located on the back cover |
|---------|---|

Mechanical and Environment

| | |
|-----------------------|--|
| Dimension (W x L x H) | 189.93 x 145.93 x 39.8 mm (7.47 x 5.75 x 1.56 inches) ² |
| Weight | 1.0 kg (2.20 lbs) |
| Housing | Back cover aluminum housing |
| Mounting | RAM Mount, VESA Mount (75x75mm) |
| Cooling System | Fanless design |
| Operating Temperature | -20°C to 60°C (-4° to 140° F) |
| Humidity | 10% to 95% RH, non-condensing |
| IP Proof | IP65, dustproof and waterproof |
| Shock | MIL-STD-810G Method 516.6 Procedure I, 30 g for 18 ms, 300 m/s ² |
| Vibration | MIL-STD-810G Method 514.6 Procedure I, 1.60/ 1.96/ 2.18 g rms for XYZ/ 5-500 Hz |
| Certifications | CE, FCC |

Power Management

| | |
|-------------|-------------------------------|
| Power Input | 9V-24V, with ignition control |
|-------------|-------------------------------|

Accessories

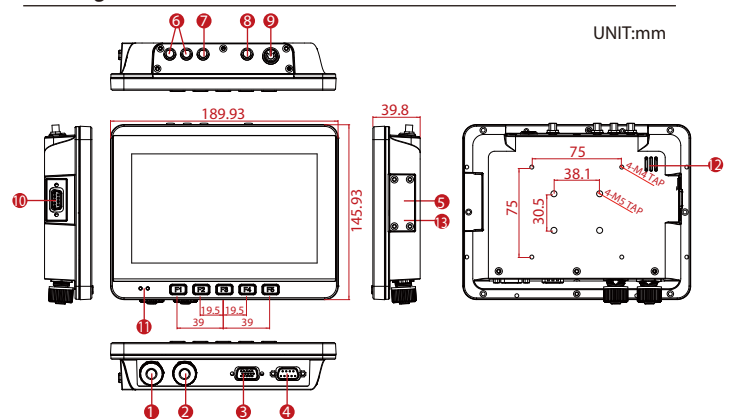
Standard Accessories ³

| | |
|-----------------------|--------------|
| User Guide | 9152111109D |
| Driver CD | 9171111104E |
| M12 Power Cable | 94J004L040K1 |
| M12 LAN Cable | 94I0120080K0 |
| USB Cable | 9483098080K0 |
| RS232 Cable | 94G3094090K2 |
| CANBUS Cable | 94E215L140K0 |
| WIFI Antenna | 397SM000000D |
| Power Converter Cable | 94J602G030K2 |
| Power Adapter | 922D050W12VA |

Optional Accessories

| | |
|--------------|--------------|
| Audio Cable | 94E215R060K0 |
| WWAN Antenna | 397SM000000C |
| GPS Antenna | 397SM000000G |

Drawing ⁴



1. 9-24V DC with Ignition
2. LAN
3. CANBUS / DIDO
4. COM
5. SIM Card Slot
6. WWAN Antenna (Optional)
7. GPS Antenna
8. Wi-Fi Antenna
9. Power Button
10. 2 x USB
11. LED
12. Speaker
13. OTG



Do not expose bare skin to this product when handling this unit in extreme hot or cold environments

1. Total usable memory will be less depending upon actual system configuration.
2. Length measurements do not include protrusions. Weight varies with options.
3. Accessories may vary depending on your configuration.
4. This is a simplified drawing and some components are not marked in detail.