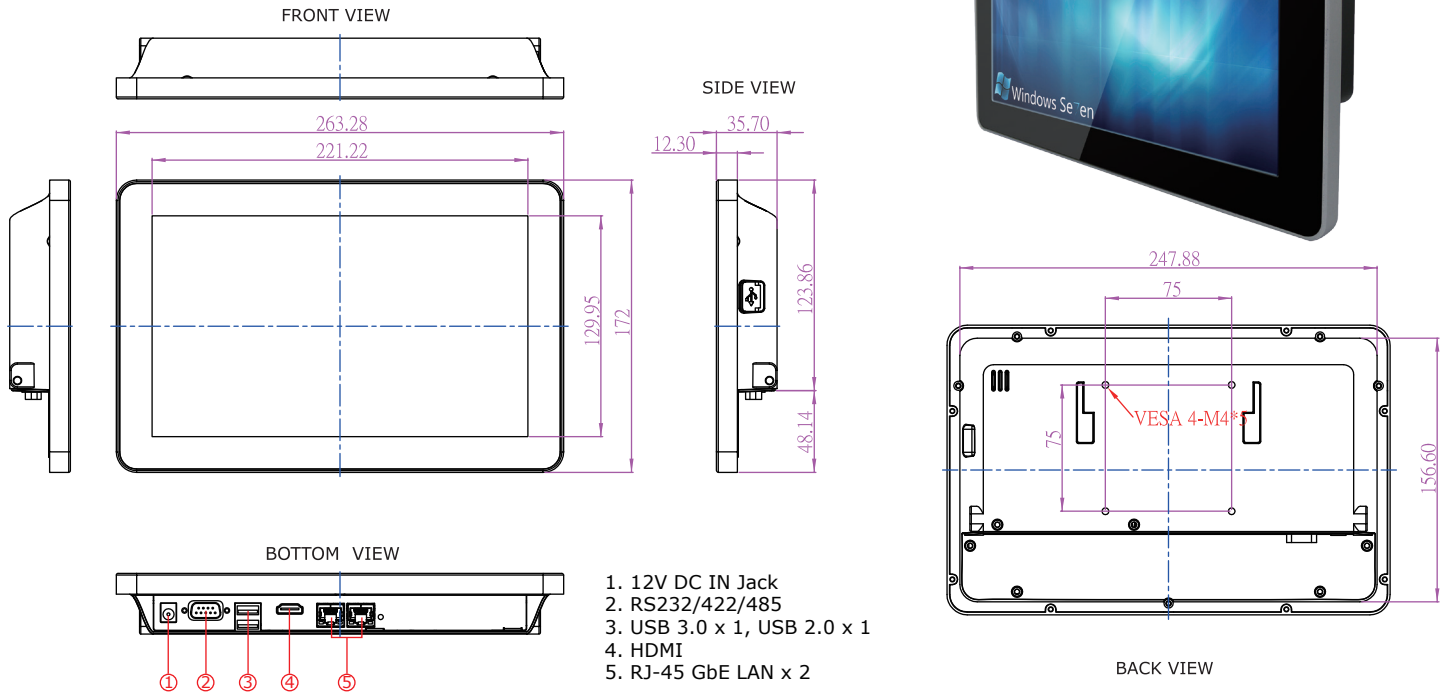


10.1" Flat Panel PC - W10IB3S-PCH1

Mechanical Design

- 10.1" 1024 x 600 Resolution with P-Cap Multi-touch Screen
- Low-Power System with Intel® Celeron® N2930 Processor
- Fanless Cooling System and Ultra-low Power Consumption
- Dual Gigabit Ethernet
- Room Booking Schedule, Access Control, Room Information Display
- Front IP65 Water and Dust Proof



Specifications

System :

- Processor : Intel® Celeron® Bay Trail-M N2930 1.83GHz
- System Chipset : Intel® ATOM SoC Integrated
- System Memory : 2GB DDR3-1066 SODIMM
- Storage : 32GB mSATA SSD
- LAN : Dual Intel® WG82574L GbE LAN

Input / Output :

- Serial Ports : 1 x RS232/422/485
- USB Ports : 1 x USB 3.0
1 x USB 2.0
- Ethernet : 2 x RJ 45-10/100/1000 Mbps
- HDMI : 1 x HDMI

Display Spec :

- Size/Type : 10.1" TFT (Wide screen)
- Resolutions : 1024x600
- Brightness : 200cd/m (typ.)
- Contrast Ratio : 500 : 1 (typ.)
- Viewing Angle : -70~70(H);-50~60(V)
- Max Colors : 262K(6bit)
- Touch : Projective-Capacitive Touch (up to 4 points)

Power Specifications :

- Power Input : 12V DC IN Jack

Mechanical Specification :

- Cooling System : Fanless design
- Mounting : VESA Mount(75x75mm)
- Dimension (W x H x D) : 263.28 x 171 x 35.7 (mm)

Environment Considerations :

- Operating Temperature : 0 deg.C to 50deg.C
- Operating Humidity : 30% to 90% (non condensing)

OS/BSP Driver Support :

- Operation System* : Windows 8 embedded(Optional)*
Windows 7 embedded(Optional)

*Windows 8 requires a 1024 x 768 resolution to operate Metro UI



Rev.	Reasons	Revised Date
1.0	First release	Apr-01-2014
1.1	Spec Change	Apr-17-2014