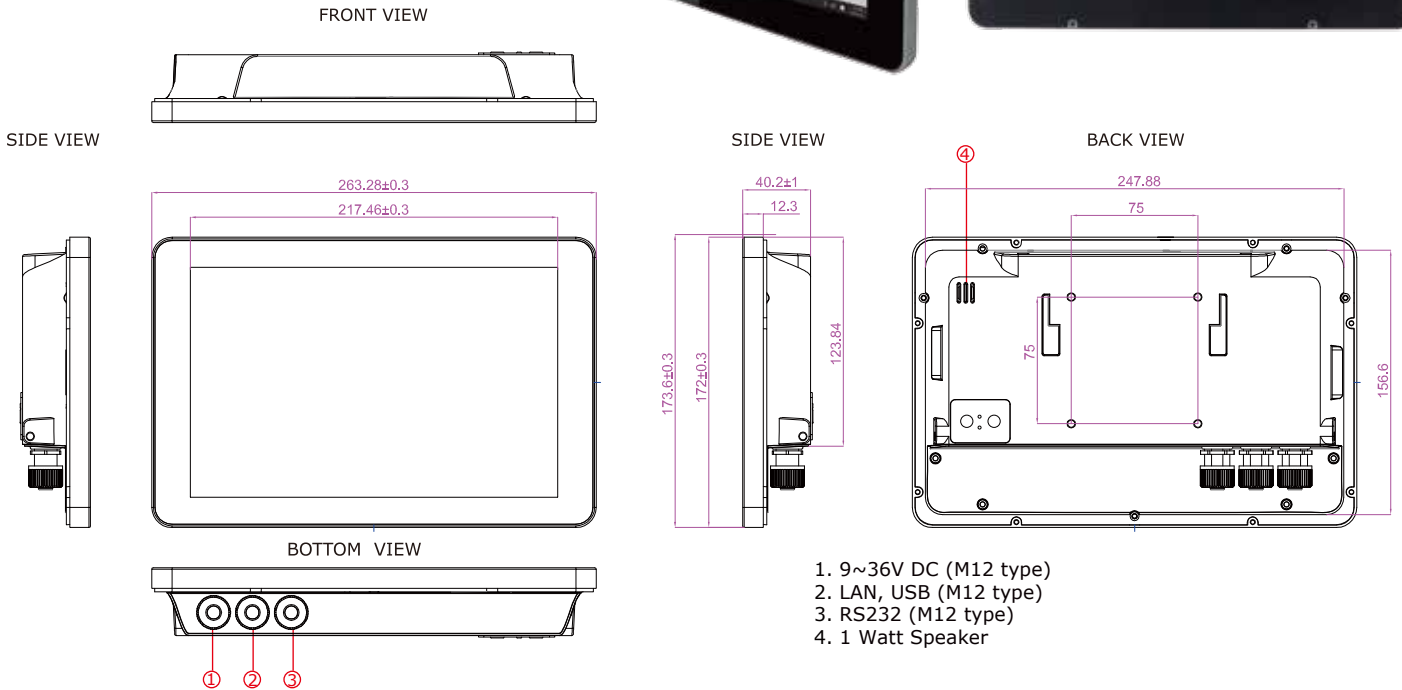


10.1" G-Win S65 Panel PC - W10IB3S-GSH2

Features

- 10.1" 1280 x 800 Resolution with Projected Capacitive Multi-Touch (P-CAP)
- Intel® Celeron® Bay Trail-M N2930 1.83 GHz
- Fanless cooling system and ultra-low power consumption
- Edge-to-edge design
- Special M12 Waterproof connectors
- Full IP65
- 1 x LAN, 1 x RS232, 1 x USB2.0



Specifications

System

- Processor : Intel® Celeron® Bay Trail-M N2930 1.83GHz
- System Chipset : Intel® ATOM SoC Integrated
- System Memory : 2GB DDR3L 1600 SODIMM (max. 8GB)
- Storage : 64GB mSATA SSD
- LAN : Dual Intel® WG82574L GbE LAN

Input / Output

- COM Port : 1 x RS232 (M12 type)(Optional 422/485)
- USB Port : 1 x USB 2.0 (M12 type)
- Ethernet : 1 x 10/100/1000 LAN (M12 type)
- Speaker : 1 x 1 Watt Speaker

Display Spec

- Size/Type : 10.1" TFT (Wide screen)
- Resolutions : 1280x800
- Brightness : 350cd/m (typ.)
- Contrast Ratio : 800 : 1 (typ.)
- Viewing Angle : -85~85(H);-85~85(V)
- Max Colors : 16.7M
- Touch : Projective-Capacitive Touch with optional protection glass

Power Specifications

- Power Input : 9-36V DC (M12 type)
- Power Consumption : 20W

Software Support

- Watchdog SDK

Mechanical Specification

- Cooling System : Fanless design
- Mounting : VESA Mount(75x75mm), Panel Mount
- Dimension (W x H x D) : 263.28 x 172 x 40.2 (mm)

Environment Considerations

- Operating Temperature : -10 deg. C to 55 deg. C
- Operating Humidity : 10% to 95% (non-condensing)
- IP Rating : Full IP65
- Shock Operating : 30g for 18ms, 300m/s²
- Vibration Operating : 1.60/1.96/2.18 g rms for XYZ/ 5-500Hz

Operating System

- Operating System : Windows 10 IoT Enterprise
Windows Embedded 8.1 Industry Pro
Windows Embedded 8 Standard
Windows Embedded Standard 7

Security Support

- Trusted Platform Module (TPM 1.2)

Certifications

- MIL-STD-810F/G for vibration / shock, CE, FCC

