

# W10IB3S-PCH2LB

## 10.1" Intel® Celeron® N2930 S Series HMI Panel PC



### KEY FEATURES

- 10.1" 1280 x 800 Resolution with Projected Capacitive Multi-Touch (PCAP)
- Intel® Celeron® Bay Trail-M N2930, 1.83 GHz
- Fanless cooling system and ultra-low power consumption
- Supports PoE function
- All-around LED status light bar
- Optional HF RFID Reader
- Stylish design for room booking, access control and room information applications

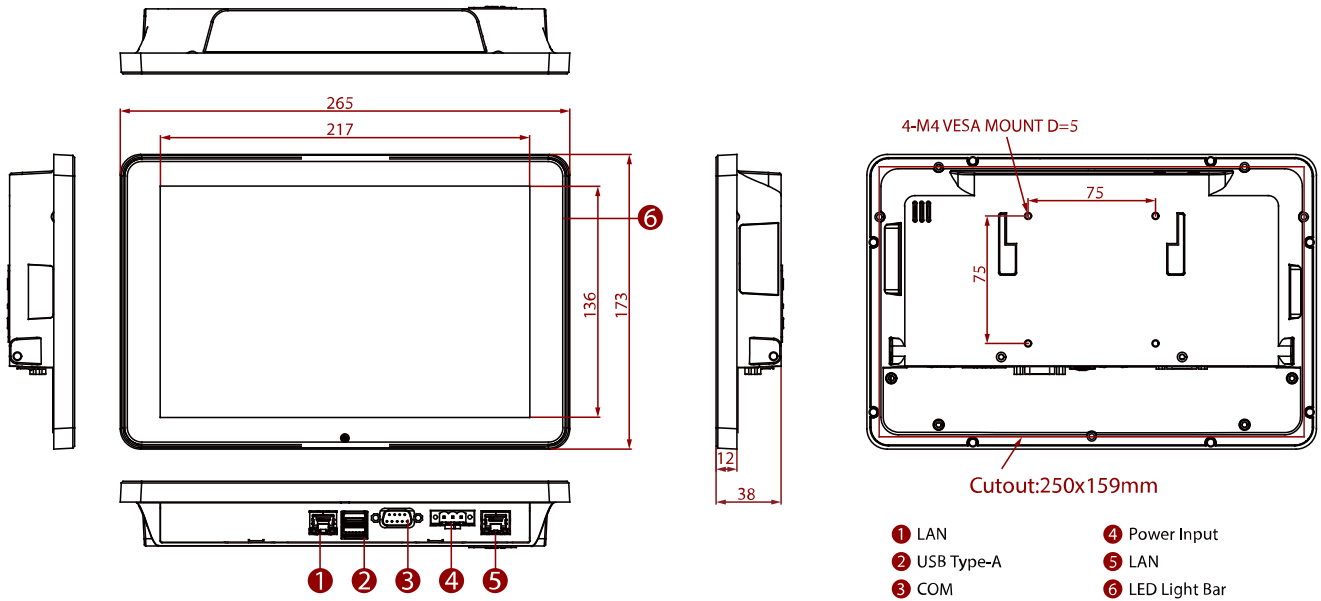


### SPECIFICATIONS

Display			
<b>Resolution</b>	1280x800	<b>Size</b>	10.1 inches
<b>Contrast Ratio</b>	800:1	<b>Panel Brightness</b>	350.0 nits
<b>View Angles</b>	85,85,85,85	<b>Active Area</b>	216.96x135.6 mm
<b>Touch / Glass</b>	Projected Capacitive Multi Touch Screen		
System Specification			
<b>Processor</b>	Intel Celeron N2930 1.83GHz (up to 2.16GHz)	<b>Memory</b>	1 x SO-DIMM, DDR3L 1600 MHz, 4GB 8GB (Optional)
<b>Storage</b>	1 x M.2 2242 B-key SSD 128GB 256GB (Optional) 512GB (Optional)	<b>Ethernet controller</b>	2 x Intel® Ethernet Controller
<b>Operating System</b>	Windows 10 IoT Enterprise (64 bit) (Optional) Linux Ubuntu 20.04 (Optional)	<b>WLAN</b>	Support (Optional)
<b>BT</b>	Support (Optional)	<b>RFID</b>	HF RFID Reader 13.56 MHz (Optional)
<b>Light Bar</b>	Built-in All-Around RGB LED Light Bar		
Mechanical			
<b>Dimension</b>	264.57 x 173.29 x 35.7 mm	<b>Weight</b>	1.2 kg
<b>Mounting</b>	Wall mount VESA Mount	<b>Enclosure</b>	Plastic Front Bezel with Metal Back Cover
<b>Cooling System</b>	Fanless design	<b>Cut out</b>	250x159mm
Environment			
<b>Operating Humidity</b>	10% to 90% RH, Non-Condensing	<b>Operating Temperature</b>	0°C to 50°C
<b>Storage Temperature</b>	-10°C to 60°C	<b>IP rating</b>	Front IP65
Certification			
<b>Certification</b>	CE, FCC		
IO Ports			
<b>Power Input</b>	1 x 12V DC, 3-Pin Terminal Block	<b>USB Port</b>	1 x USB3.2 Gen1x1 (Type-A) 1 x USB2.0 (Type-A)
<b>Serial Port</b>	1 x RS232/422/485 (Default RS232)	<b>Audio</b>	1 x Speaker
<b>Expansion Port</b>	1 x M.2 2242 B-key Slot (for SATA II SSD)	<b>LAN</b>	2 x Giga LAN RJ45 Connector, One with PoE(PD,

	1 x M.2 2230 E-Key Slot (for Wi-Fi module)	802.3at)(Optional)
<b>Accessory</b>		
<b>Accessory</b>	100~240V AC to DC Adapter Power Cord Terminal Block to 2.5Ø Female Adapter Cable Open Wire Cable with terminal block connector VESA screws	<b>Optional Accessory</b> VESA Wall Mount (Optional) VESA Desk Stand (Optional) Glass Wall Mount Kit (Optional) Front Side Wall Mount (Optional) VESA bracket mounting kit (Optional)
<b>Power</b>		
<b>Power Rating</b>	12V DC 10~60V (Optional)	<b>Adapter</b> 12V 50W
<b>POE</b>	PoE (PD): follows IEEE 802.3at (25 W)	

## DIMENSIONS UNIT:MM



## NOTE

1. Measured at dimming LCD brightness. Varies depending on the usage conditions, or when an external device is attached.
2. Total usable memory will be less dependent upon actual system configuration.
3. Length measurements do not include protrusions. Weight varies with options.
4. This is a simplified drawing and some components are not marked in detail.
5. Accessories and integrated options may vary depending on your configuration.
6. The product shown in this datasheet is a standard model. For diagrams that contain customized or optional I/O, please contact the Winmate Sales Team for more information.