

R15ID3S-65EX

15" Intel® Atom® N2600 ATEX Panel PC



KEY FEATURES

- 15" 1024x768 , LCD Panel PC
- Intel® Atom® N2600 Processor, ATEX Panel PC
- Class1, Division 2 & ATEX Zone 2 device certified for hazardous area application
- Fanless, streamlined enclosure for highly efficient heat dissipation
- 5 wire Resistive Touch Screen (Explosion-proof)
- Stainless housing

INTRODUCTION

Winmate ATEX Panel PC Series is designed for safe and reliable performance in hazardous environments, certified for Class 1, Division 2, ATEX Zone 2, and IECEx Zone 2 applications. Powered by Intel® processors, these fanless Panel PCs feature durable, streamlined enclosures for efficient heat dissipation and wide operating temperatures, with optional intelligent heaters for extreme cold down to -40°C. Ideal for industrial and chemical settings, they include high-brightness displays, multi-touch capabilities, IP65-rated protection, and flexible mounting options, ensuring superior usability and safety in challenging conditions.

OVERVIEW



Certified for Hazardous Locations

Winmate's ATEX Zone 2 certified computers are designed for remote data collection, process visualization, and precise control. These Panel PCs are suitable for deployment in ATEX Zones, where safety is the top priority.

Real-Time Production Monitoring and Control

Take full control of the production process with real-time data monitoring and visualization. The R15ID3S-65EX is a stainless ATEX panel PC with features designed to withstand industrial use and extreme temperatures in hazardous locations.





Stable Performance and Fanless Design

Experience stable performance from an Intel® Atom Dual Core N2600 processor with ultra-low power consumption. Plus, the fanless thermal design provides highly efficient heat dissipation.



Explosion-Proof Resistive Touchscreen

Featuring an explosion-proof ELO 5-wire resistive touch screen, this Panel PC offers easy user controls and incredible durability for demanding applications like a drilling rig control panel.



Rugged and Waterproof Design

Winmate's ATEX Panel PC offers full IP65 protection against dust and water and is compliant with MIL-STD-810G Defence standards. Plus, this explosion-proof computer is resistant to vibrations found on industrial sites. All the I/O ports feature waterproof connectors M12 type for added protection.

SPECIFICATIONS

System Specification

Processor	Intel Atom N2600 1.6GHz	Chipset	Intel® NM10
Memory	1 x SO-DIMM, DDR3L 1600 MHz, 4GB	Storage	1 x mSATA SSD 128GB mSATA SSD up to 512GB (Optional)
Ethernet controller	BCM57780A1KMLG	Operating System	Windows 7 Embedded Systems (Optional) Linux Ubuntu 16.04 (Optional)

Display

Touch / Glass	Resistive Touch Screen Bonding With Panel (Explosion-Proof)	Resolution	1024x768
Size	15.0 inches	Contrast Ratio	2000:1
Panel Brightness	550 nits 1000 nits(Optional)	View Angles	88,88,88,88
Active Area	304.1x228.1 mm		

Mechanical

Dimension	396 x 310 x 49 mm	Weight	5.7 kg
Mounting	VESA Mount	Enclosure	Stainless Housing
Cooling System	Fanless design	Cut out	365 x 270 mm

Environment

Operating Humidity	10% to 95% RH, Non-Condensing	Operating Temperature	-20°C to 60°C
Storage Temperature	-30°C to 70°C	Shock	MIL-STD-810G Method 516.6 Procedure I (Optional)
Vibration	MIL-STD-810G Method 514.6 Procedure I	IP rating	IP65
Drop	MIL-STD-810G Method 516.6 Procedure IV		

Certification

Certification	CE, FCC UL 60950-1 CAN/CSA C22.2 No. 60950-1-07 EN 62368-1 Class I, Div.2, Groups A,B,C,D T4 -20 ≤ Tamb ≤ 50 Meet Standards ANSI/ISA-12.12.01-2012 CSA/CSA C22.2 No. 213-M1987 ATEX II 3G Ex ic nA IIC T4 Gc -20 ≤ Tamb ≤ 50 Meet Standards EN 60079-0, EN 60079-11, EN 60079-15 IECEx Ex nA IIC T4 Gc -20 ≤ Tamb ≤ 50 Meet Standards IEC 60079-0, IEC 60079-15
----------------------	---

IO Ports

Power Input	1 x 9~36V DC, M12 Type connector	USB Port	1x M12 type connector for 2 x USB2.0
Serial Port	1 x M12 connector for RS232/422/485 (Default RS232)	Expansion Port	1 x mPCIe slot(for SATA III SSD) 1 x mPCIe slot(for Wi-Fi module)

LAN	1 x M12 type connector for Giga LAN	Indicator	1 x LED Indicator for power 1 x LED Indicator for storage
------------	-------------------------------------	------------------	--

Control

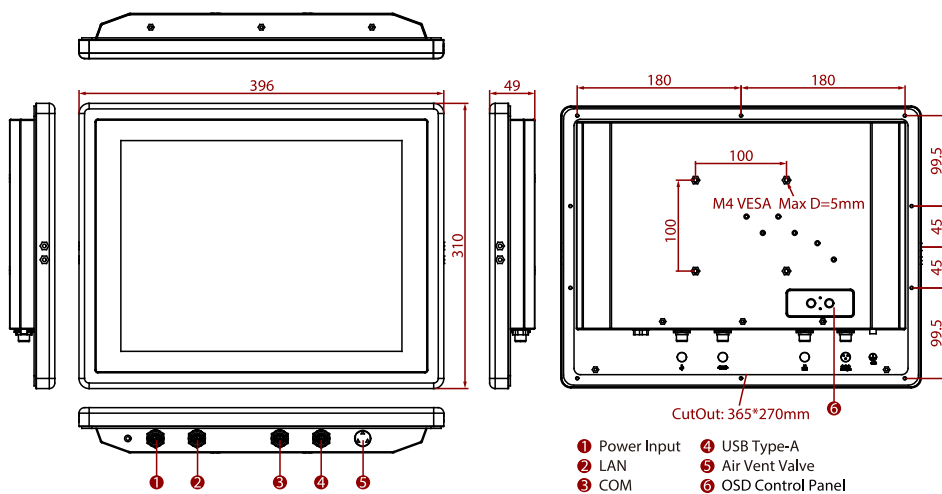
Button	1 x Power Button 1 x Reset Button
---------------	--------------------------------------

Accessory

Accessory	100~240V AC to DC Power Adapter with M12 Connector Power Cord M12 Type Power Cable M12 Type RS232 Male Cable M12 Type USB Female Cable M12 Type LAN Cable RJ45 female-female converter USB Adapter (USB type A to type B) VESA screws
------------------	---

DIMENSIONS UNIT:MM

w/o Box Cover



NOTE

1. Total usable memory will be less dependent upon actual system configuration.
2. Length measurements do not include protrusions. Weight varies with options.
3. Measured at maximum backlight and high CPU load.
4. Accessories and Integrated Options may vary depending on your configuration.
5. The product shown in this datasheet is a standard model. For diagrams that contain customized or optional I/O, please contact the Winmate Sales Team for more information.