

R15IAD3S-67FTP(HB)

15" Intel® Core™ i5-1235U G-WIN Full IP67 P-CAP Panel PC



KEY FEATURES

- 12th Gen Intel® Core™ i5-1235U processor
- High Quality 15" Panel, 1024 x 768 resolution, 300 nits (Optional for 1000 nits)
- P-cap multi touch screen Optical Bonding with Panel to increase the clarity and transparency
- Optional True Flat 5 Wire Resistive Touch / Anti-Reflective Protection Glass with Panel
- Dust/ Water proof design with VESA mount Full IP67 Panel PC
- Aluminum Die-Casting Housing with Anti-Corrosion Treatments
- Build in ambient Light sensor
- -10 to 55°C wide operating temperature
- Wide Range 9 to 36V DC Input with isolation. Optional for Ignition On/Off delay

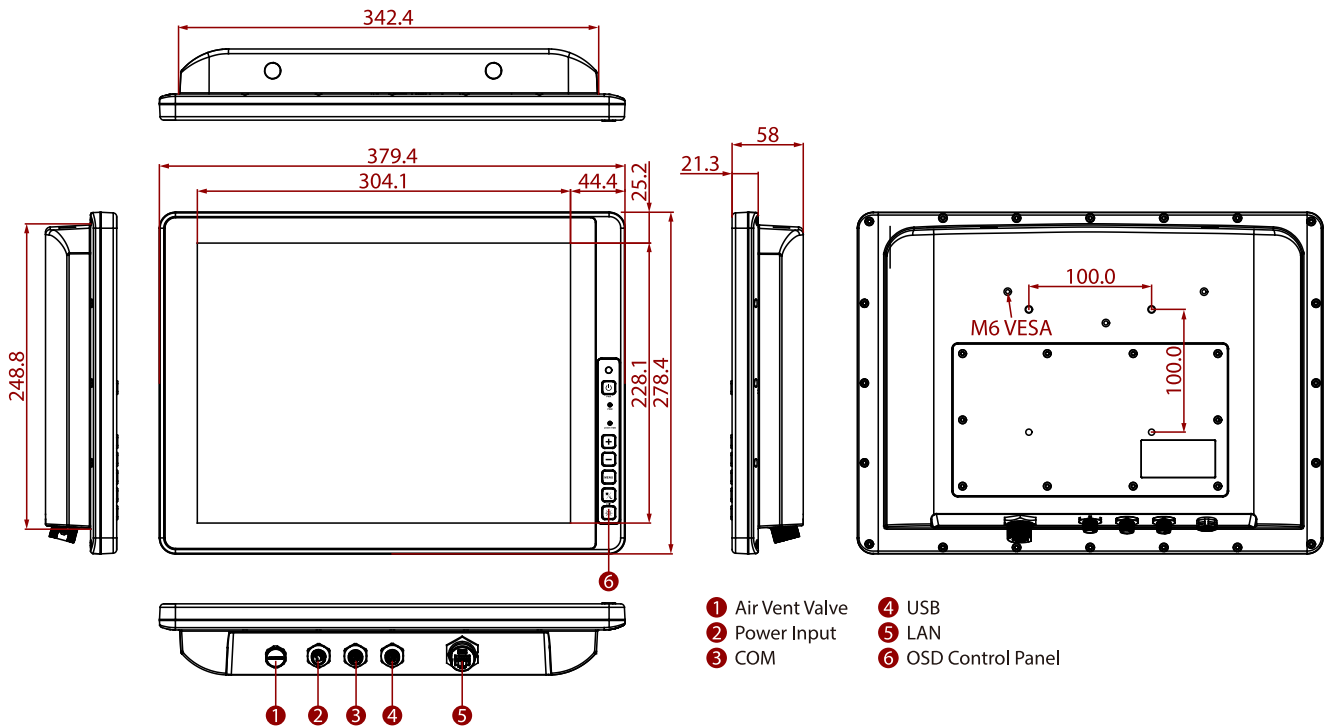


SPECIFICATIONS

System Specification			
WLAN	Support (Optional)	BT	Support (Optional)
Processor	Intel® Core™ i5-1235U 3.3GHz(up to 4.40 GHz)	Memory	1 x SO-DIMM, DDR5 4800 MHz, 8GB 16GB (Optional) 32GB (Optional)
Storage	1 x M.2 2280 M-Key NVMe SSD 128GB 256GB (Optional) 512GB (Optional) 1TB (Optional) 2TB (Optional)	Ethernet controller	1 x Intel® Ethernet Controller
Security	TPM 2.0	Operating System	Windows 11 IoT Enterprise (64 bit) (Optional) Windows 11 Pro 64 bit (Optional) Windows 10 IoT Enterprise (64 bit) (Optional) Linux Ubuntu 22.04 (Optional)
Display			
Resolution	1024x768	Size	15.0 inches
Contrast Ratio	2000:1	Panel Brightness	300.0 nits
View Angles	88,88,88,88	Active Area	304.1x228.1 mm
Optional function	High brightness Panel for sunlight readable (Optional)	Touch / Glass	Projected Capacitive Multi Touch Screen Bonding With Panel True Flat Resistive Touch Screen Bonding With Panel (Optional) True Flat Protection Glass Bonding With Panel (Optional)
Mechanical			
Dimension	379.4 x 278.4 x 58 mm	Weight	3.8 kg
Mounting	VESA Mount	Enclosure	Aluminum Housing Pre finish: Surtec 650, Type II, Class 3 Coating: Polyester powder coating
Cooling System	Fanless design		
Environment			
Operating Humidity	10% to 90% RH, Non-Condensing	Operating	-10°C to 55°C

Storage Temperature	-30°C to 70°C	Temperature	-40°C to 70°C (with intelligent heater)
Vibration	MIL-STD-810G Method 514.6 Procedure I	Shock	MIL-STD-810G Method 516.6 Procedure I
Certification	CE, FCC		
IO Ports			
Power Input	1 x M12 waterproof connector for 9~36V DC	USB Port	1 x M12 waterproof connector for 2 x USB2.0
Serial Port	1 x M12 waterproof connector for RS232	LAN	1 x waterproof Giga LAN RJ45 connector
Indicator	1 x LED Indicator for power 1 x LED Indicator for storage		
Control			
Button	1 x "Power" key to power on the device. 1 x "+" key to increase screen brightness. 1 x "-" key to decrease screen brightness. 1 x "Menu" key can Automatically or manually adjusts brightness of the display screen 1 x Day / Night Mode button 1 x LED indicator brightness adjustment button 1 x Ambient Light sensor		
Accessory	Accessory External open wire Power cable with waterproof connector External USB cable with waterproof connector External COM cable with waterproof connector External LAN cable with waterproof connector Waterproof caps RJ45 female-female converter VESA screws Optional Accessory 100~240V AC to DC 120W Adapter with power cord (Optional)		

DIMENSIONS UNIT:MM



NOTE

1. This is a simplified drawing and some components are not marked in detail.
2. Weight of the device varies by configuration.
3. Please contact our sales representative if you need further product information.
4. All specifications are subject to change without prior notice.
5. The product shown in this datasheet is a standard model. For diagrams that contain customized or optional I/O, please contact the Winmate Sales Team for more information.