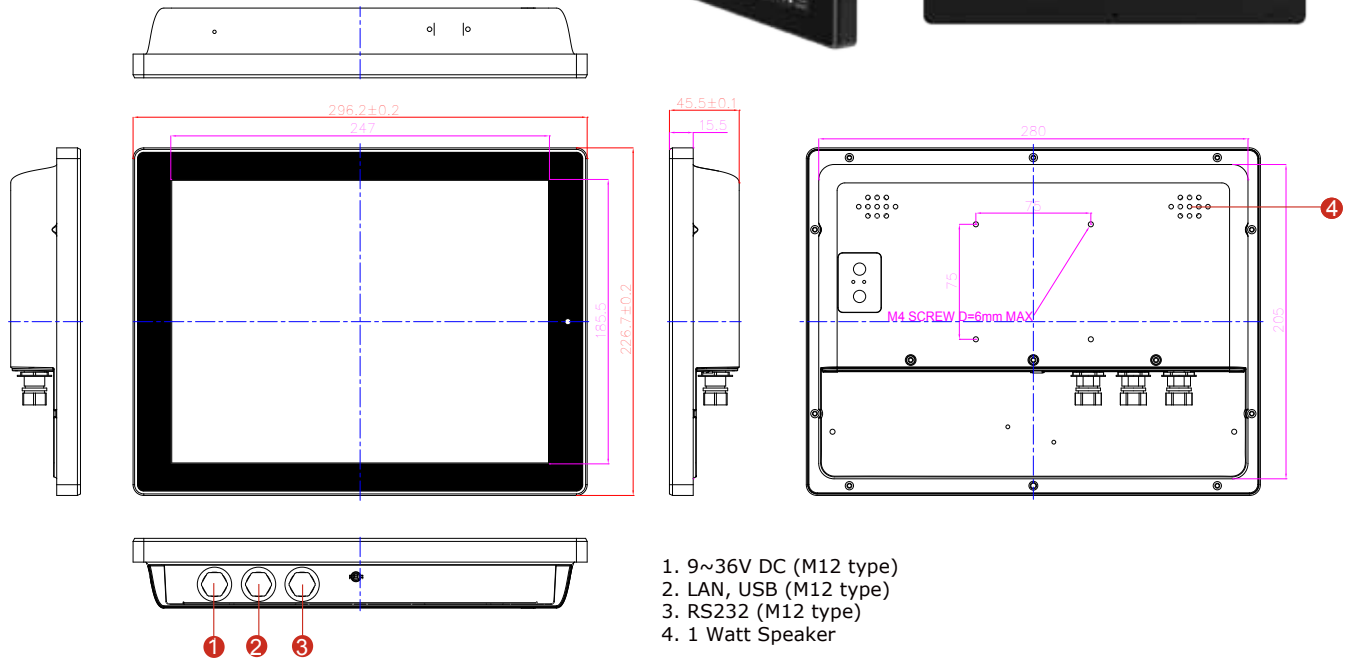


# 12.1" G-WIN S65 Panel PC R12IB3S-GSM2(HB)

## Features

- 12.1" 1024 x 768 Resolution with Projected Capacitive Multi-Touch (P-CAP)
- Intel® Celeron® Bay Trail-M N2930 1.83 GHz
- Fanless cooling system and ultra-low power consumption
- Edge-to-edge design
- Special M12 Waterproof connectors
- Full IP65
- 1 x LAN, 1 x RS232, 1 x USB2.0



## Specifications

### System

- Processor : Intel Celeron Bay Trail-M N2930 1.83GHz
- System Chipset : Intel ATOM SoC Integrated
- System Memory : 2GB DDR3L 1600 SODIMM (max. 8GB)
- Storage : 64GB mSATA SSD
- LAN : Dual Intel WG82574L GbE LAN

### Input / Output

- COM Port : 1 x RS232 (M12 type)(Optional 422/485)
- USB Port : 1 x USB 2.0 (M12 type)
- Ethernet : 1 x 10/100/1000 LAN (M12 type)
- Speaker : 1 x 1 Watt Speaker

### Operating System

- Operation System : Windows 10 IoT Enterprise  
Windows Embedded 8.1 Industry Pro  
Windows Embedded 8 Standard  
Windows Embedded Standard 7

### Security Support

- Trusted Platform Module (TPM 1.2)

### Power Considerations

- Power Input : 9-36V DC (M12 type)
- Power Consumption : 24W

### Display

- Size : 12.1" TFT
- Resolution : 1024 x 768
- Brightness : 500nits Optional for High Brightness 1000nits
- Contrast Ratio : 700:1
- Viewing angle : -80~80(H) ; -70~70(V)
- Max color : 16.2M
- Touch : Projective-Capacitive Touch with optional protection glass

### Software Support

- Watchdog SDK

### Mechanical Specifications

- Cooling System : Fanless design
- Mounting : VESA Mount (75x75mm), Panel Mount
- Dimensions(W x H xD) : 296.2 x 226.7 x 45.5 (mm)

### Environment Considerations

- Operating Temperature : -10 deg. C to 55 deg. C
- Operating Humidity : 10% to 95% (non-condensing)
- IP Rating : Full IP65
- Shock Operating : 30g for 18ms, 300m/s<sup>2</sup>
- Vibration Operating : 1.60/1.96/2.18 g rms for XYZ/ 5-500Hz

### Certifications

- MIL-STD-810F/G for vibration / shock, CE, FCC

