






Monitor Stands / Wall Mount Kits





FLY-ACS.0000000065	PRI-ACS.H0SF012VT0	PRI-ACS.H0SF024VT0	DIV-ACS.0000000082
			
75*75 / 100*100			100*100/100*200
Heavy duty stand steel black			Heavy duty stand black steel
tilt angle internal area for PSU	tilt angle internal area for PSU	tilt angle internal area for PSU	tilt angle
	Internal 12V DC PSU	Internal 24V DC PSU	
Support Max. weight >+/- 20 Kg			Support Max. weight >+/- 20 Kg
CHF 115.00	CHF 165.00	CHF 175.00	CHF 98.00



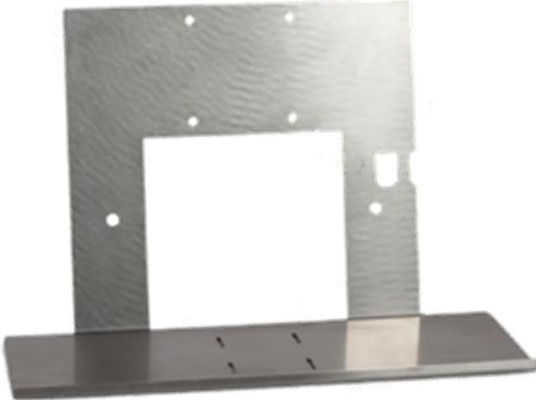
VIT-DIV.ACS0000010	VIT-DIV.ACS0000011	DIV-ACS.0000000082	DIV-ACS.0000000084
			
75*75		75*75 / 100*100	75*75 / 100*100
steel black long form	steel black short form	steel/aluminum alloy/plastic	steel/aluminum alloy/plastic
Tilt -2°(down) ~ +180°(up)	Tilt -2°(down) ~ +180°(up)	Tilt -2°(down) ~ +180°(up)	Swivel 360° height adjustment 130mm
Cable Management	Cable Management		Cable Management
Support Max. weight +/- 10 Kg		Support Max. weight 18Kg	Support Max. weight 8Kg
CHF 48.00	CHF 53.00	CHF 98.00	CHF 124.00

Monitor Stands / Wall Mount Kits

DIV-ACS.000000070	DIV-ACS.000000080	ARB-ACS.300000001
		
75*75 / 100*100	75*75 / 100*100	75*75 / 100*100
die-cast aluminium	steel/aluminum alloy/plastic	Black, Metal alloy and plastic cover
tilt -2°(down) ~ +180°(up)	Swivel +/-20° tilt +/- 20° pivot 360°	Pivoting Points, Right, Left and Rotary
height adjustment 180 to 352 mm	height adjustment 403 mm	
Support Max. weight +/- 18 Kg	Support Max. weight 10Kg	Support Max. weight 15 kg
CHF 98.00	CHF 119.00	CHF 85.00

DIV-ACS.0000000280	DIV-ACS.0000000086	
		
75*75 / 100*100	75*75 / 100*100	
steel/aluminum alloy/plastic	steel/aluminum alloy/plastic	
Distance To Wall min 85mm / max 265mm	Distance To Wall min 35mm / max 337mm	
Support Max. weight 10Kg	Support Max. weight 15Kg	
CHF 65.00	CHF 58.00	

FLY-ACS.0000000061	DIV-MEC.H0WH000025	FLY-ACS.0000000060
		
75*75 / 100*100	50*50 / 75*75 / 100*100	100*100
stainless steel (INOX)	steel / painted	steel / injected
Flat Wall mounting	Ultra-flat Wall mounting	Ultra-flat Wall mounting
Support Max. weight / not specified	Support Max. weight / not specified	Support Max. weight / not specified
CHF 49.00	CHF 42.00	CHF 49.00
DIV-MEC.H0WH000030		
		
75*75 / 100*100 / 200*200		
Steel black and white epoxy painting		
Ultra-flat Wall mounting / 19"-32" screens		
Support Max. weight 30Kg		
Integrated bubble level for easy installation		
CHF 65.00		

MOUNTING KIT	PRI-ACS.H0WH00000/A	DIV-MEC.H0TH00000/A
		
<p><i>Stainless steel mounting system to mount heavy Touch-systems. Kit (w/o PPC) consisting of both parts Wall/Desk Mount & and Keyboard Holder.</i></p> <p><i>Wall/Desk Mount can also be used for Desk and Table mounting.</i></p>	<p>100*100 / 200*100</p>	<p>100*100 / 200*100</p>
	<p>Wall,- Table Mount, INOX</p>	<p>Keyboard Holder INOX</p>
	<p>Dimensions: 350mm x 130mm x 142.5mm</p>	<p>Dimensions: 350mm x 320mm x 180mm</p>
	<p>1 x Wall mount, universal monitor side 1 x Wall mounting, universal wall side 2 x Adjustable clamping lever with blind hole M8 2 x Wing nut with blind hole M8, black 4 x Lens screw M8x16, with hexagon socket, INOX A2 8 x Clamping washers M8, INOX 1.4310, thick 1mm</p>	
<p>CHF 530.00</p>	<p>CHF 275.00</p>	<p>CHF 255.00</p>

Price	CHF, exkl. VAT and Packaging
Warranty	12 month after billing or referred to Manufacturer
Technical Specs.	For Datasheets please contact Product Management
Terms and Conditions	Please notice our Terms and Conditions on www.primelco.ch
Validity	Pricelist Q1 2017 25.03.2017 subject to modifications and amendments