



K75A



IP65



Fanless



WiFi



Webcam



MSR



Device Box

Features

- 24" True-Flat PCAP Touch
- Intel Skylake U Processor
- Front IP65
- WiFi + BT Available
- Webcam Available
- MSR Available
- Device Box (Smart IC Card Reader, RFID, Scanner, Line-out, Mic-in) Available



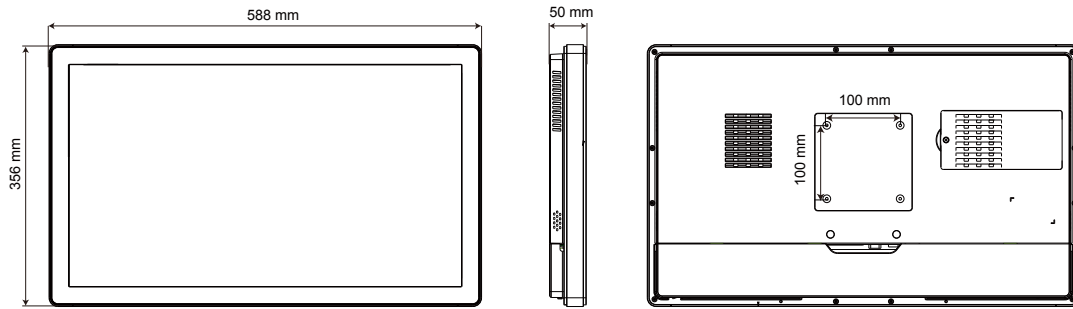
Reliability, functionality, accuracy, hygiene, performance efficiency and cost-effectiveness are all synonyms for hardware solutions when it comes to interactive information, digital signage, kiosks, and medical equipment. Whether looking for panel PC solutions for mission critical or non-critical environments, at Flytech, we understand the importance of providing the optimal panel PC system that suits an array of applications.

K75A

Multifunctional Touch Panel PC

FLYTECH

www.flytech.com



Specification

System	Motherboard	D86U
	Processor	Intel Skylake U CPU Celeron 3955U, i3-6100U, i5-6300U
	Chipset	CPU Integrated
	System Memory	1x DDR3L 1600MHz SO-DIMM up to 8GB
	Storage Device	1x 2.5" SATA HDD or SSD or SSD module
	Graphic Engine	Intel HD Graphics
LCD Touch Panel	LCD Size	24" (16:9 ratio)
	Brightness	250 nits
	Resolution	1920 x 1080
	Touch Screen	True-Flat PCAP Touch
Expansion	Mini PCI-E Slot	1
External I/O Ports	USB	4x USB3.0, 2x USB2.0
	Serial Port	4x RJ48 (with DB9 convert cable)
	LAN	2x RJ45
	Audio Jack	1x Line-out, 1x Mic-in
	VGA	1x DB15
	DVI	1x DVI-D (Option)
Audio	Internal Speaker	2x 3W
Power	Power Supply	90W / 19V
	Wide Range Power Input	12-48V (i3, i5 CPU only)
	Connector	4-pole DIN (with latch)
Peripheral	Built-in Webcam	5MP
	WiFi + BT	802.11 b/g/n WLAN card + BT 4.0 (either 2nd LAN or WiFi + BT) (Option)
	MSR	3-Track MSR (USB) (Option)
	Device Box	Smart IC Card Reader, RFID, Scanner, Line-out, Mic-in (Option)
Certificate	EMC & Safety	FCC Class A, CE Mark, LVD
	Medical	N/A
Environment	Ventilation	Fanless
	Dust & Water Proof	Front IP65
	Operating Temperature	0°C ~ 35°C (32°F ~ 95°F) (Still Air)
	Storage Temperature	-20°C ~ 60°C (-4°F ~ 140°F)
	Humidity	20% ~ 85% RH non-condensing
Dimensions (WxDxH)		588 x 50 x 356 mm (23.1" x 1.96" x 14.0")
Weight		7 kg (15.4 lbs)
Mounting		VESA Mount 100 x 100
OS Supported		Windows 7 (64bit), POSReady 7 (64bit), Windows 8.1 (64bit), Windows Embedded 8.1 Industry (64bit), Windows 10 (64bit), Windows 10 IoT Enterprise (64bit), Linux

Taiwan - Headquarters

No.168, Sing-ai Rd., Neihu District,
Taipei City 11494, Taiwan, R.O.C.
Tel: 886-2-8791-4988
Fax: 886-2-8791-4966
E-mail: sales@flytech.com.tw
www.flytech.com

U.S.A. - California

728 Charcot Ave, San Jose,
CA 95131, U.S.A
Tel: 1-510-257-5180
Fax: 1-510-257-5181
E-mail: sales@flytech.com

China - Shanghai

3F Building 39, No. 333 Qin Jiang Rd.,
Shanghai 200233, P.R.China
Tel: 86-21-5426-1555
Fax: 86-21-5426-1001
E-mail: sales@flytech.com.cn
www.flytech.com.cn

China - Hong Kong SAR

Room 01, 6/F, Block A, Tonic Industrial
Centre, 26 Kai Cheung Road, Kowloon
Bay, Kowloon, Hong Kong.
Tel: 852-3525-5800
Fax: 852-2751-7447
E-mail: sales@flytech.com.hk