



Main Features:

- ▣ Kompaktes Touchterminal mit integriertem RFID-Leser
- ▣ Ultra low Power CPU und TFT-Panel (LED Backlight)
- ▣ Betrieb mittels PoE+ oder internen 230V AC Netzteil

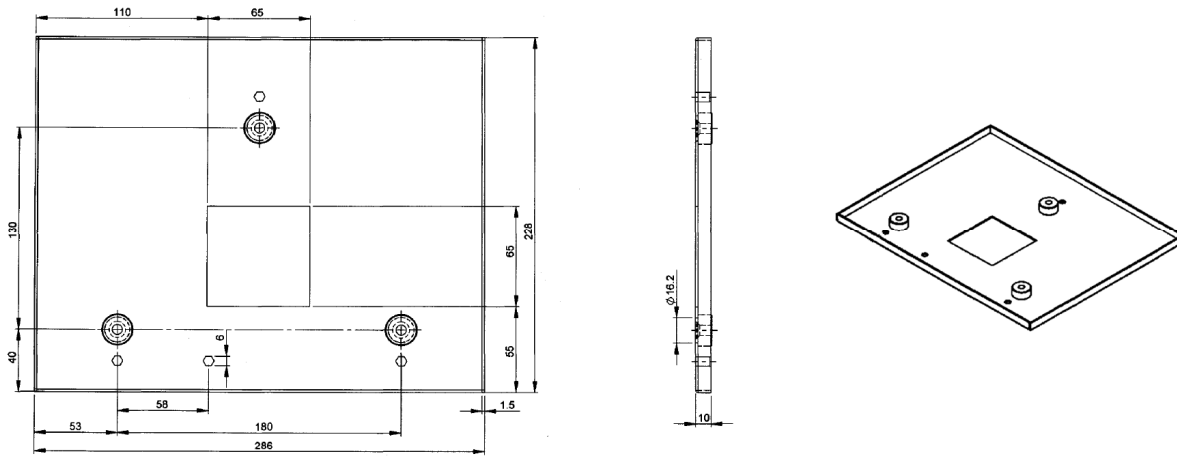
Zeto IV – Daten- und Zutrittserfassungsterminal

Technische Daten

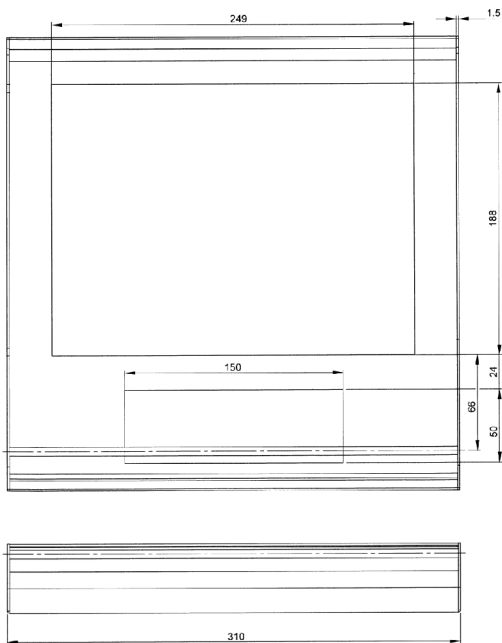
Housing	Material	Metall
	Color	RAL silver-grey powder coated
	Weight	Approx. 5 KG
	Dimensions	313 x 310 x 47mm (LxHxW)
	Security lock	lockable incl. 2 keys
Panel	Display Size	12.1" LCD-TFT (30,7cm)
	Max. Resolution	1024x768 (XGA)
	Brightness	500 nits
	Contrast Ratio	700:1
	Backlight	LED
	Display Mode	Normally with TN
	Viewing angle, Vert. +/-	70 / 70
	Viewing Angle, Hor. +/-	80 / 80
	Response Time	16 mx
	Interface	6/8 bit LVDS
	Temperature range	-30 ... +70°C
System	Form Factor	ID31 3.5" SBC
	Processor	Intel Atom Dual Core N2600 1.6GHz
	Chipset	Intel NM10 Chipset
	LCD Interface	Integrated VGA, 24 bit single-channel LVDS, DVI
	System Memory	4GB DDR3 SO-DIMM 1333 MHz RAM
	Storage	Intel SSD mSATA MLC 30GB
	Ethernet	Integrated Dual Broadcom BCM57780 Ethernet controller
	Power Input AC or LAN	230V AC or PoE+ 25W
	Power Consumption	19 Watt
I/O Connectors	Serial Ports	1 x RS232/422/485
	USB Ports	2 x USB 2.0
	LAN Port	2 x RJ-45
	Video Port	1 x VGA
	Expansion Slot	2 x Mini PCIe Slot
	Internal I/O	4 x RS-232 and 4x USB 2.0 by pin-header
	Interfaces	1 x SATA II and 1 X Digital I/O (8 ports GPIO)
	Audio	2 x 2 Watt built-in Speakers
Touch Specification	Touchscreen	8-wire Resistive AMT Sensor by RS232
Options	Power Input AC	230V AC – Power Line Filter DC to 400Hz, 1 to 30A
	Power Input LAN	PoE+ 25W IEEE 802.3af / IEEE 802.3at
	RFID	Legic, MiFare, Proxy (ISO-14443-A/15693) read or read/write
	Storage	Intel SSD mSATA SLC 20GB
	Print customized	Logo Print, RAL color Housing
	Operating System	WIN XP Prof., WIN XPe, WS7E, WS7P, WIN 7 Prof.
Order Information (P/N)	PRI-PPC.12RA55L000 - ZetoIV 12.1" Touch Wandterminal, N2600, XGA	
	PRI-PPC.12RA55L050 - ZetoIV 12.1" Touch Wandterminal, N2600, PoE, XGA	

Mechanische Zeichnung

Wandmontageplatte



Frontgehäuse



Wandgehäuse

