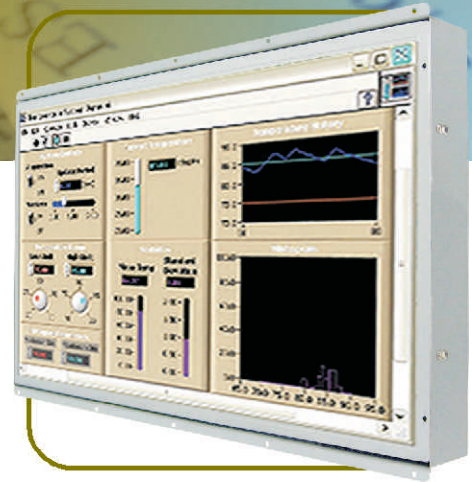


Open Frame LCD

Wide Screen LCD



15.6"(16:9)

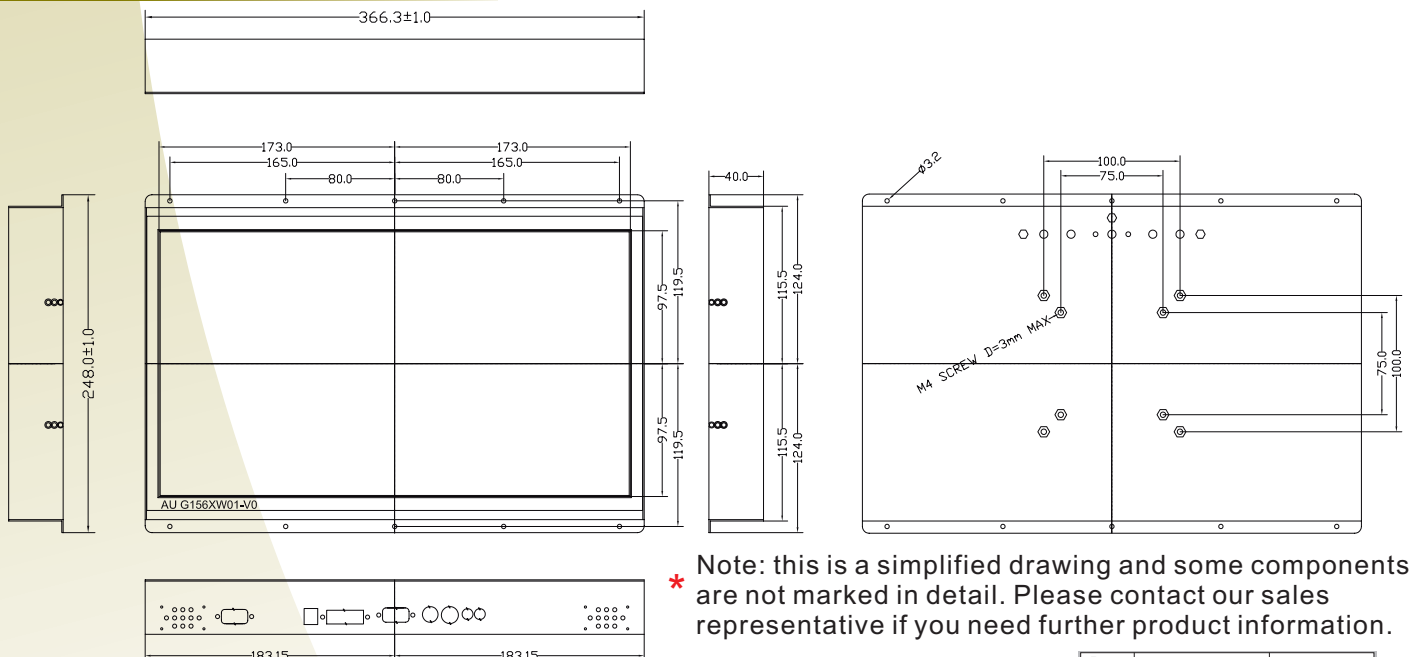
Specifications

RoHS
COMPLIANT
2002/95/EC

Model Name	W15L100-OFA4HB/ W15L110-OFA4HB(LED)
Viewable Size Image	15.6"(16:9)
Active Display Area(mm)	344.232(H) x 193.536(V)
Pixel Pitch(mm)	0.252(H) x 0.252(V)
Number of Pixels	1366 x 768
Contrast Ratio	500:1(typ.)
Display Color	16.7M
Brightness(cd/m ²)	1300(typ.)
Viewing Angle(CR>=10)	-85~85(H); -80~80(V)
Synchronization Range	
Horizontal/Vertical	31.5~60.0KHz/60~75Hz
Recommended Resolution	1366x768@ 60Hz
Signal Connector	15 pin D-sub
Power Source	12V DC in, with External AC to DC Adapter (100~240V AC)
Power Consumption	25W typical, normal operation
Power Management	VESA DPMS Compliant
Plug & Play	VESA DDC 1/2B
Optional Video Input	S-Video, Composite
Optional DVI Input	Yes
Optional Touch Screen	Resistive

Remarks:W15L100 series= VGA input only
W15L110 series= VGA+Video Input

Mechanical Drawing



* Note: this is a simplified drawing and some components are not marked in detail. Please contact our sales representative if you need further product information.

Rev.	Reasons	Revised Date
1.3	Pic change	Jun-03-13