

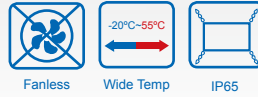
Rugged Display

G-WIN®

Model:R10L600-VMP1

Product Features:

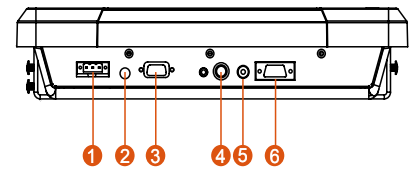
- High Quality 10.4" SVGA Panel, 800x600 resolution
- 5 Wire resistive touch screen / IR Touch
- -20 ~ +55°C Wide Range Operating Temperature
- Anti-Corrosion housing with Fanless Design
- IP65 Dust & Waterproof Protection (Except I/O ports)
- 9V ~ 36V DC Isolation Wide Range Power Input
- Compliance With EN50155



Product Specifications:

Display	Pixel Number	800 x 600
	Pixel Pitch (mm)	0.264 (H) x 0.264 (V) mm
	Contrast Ratio	500 : 1(typ.)
	Brightness	400 cd/m2 (typ.)
	Viewable Angle(CR>=10)	-70~70 (H);-55~65 (V)
	Active Display Area	211.2(H) x 158.4(V) mm
	Max Colors	16.2M / 262k (8/6bits)
Input /Output	Touch (Optional)	5 Wire Resistive / IT Touch
	1 x 9~36V DC Terminal Block (Default)	
	1 x DC Lockable Input (Optional)	
	1 x RS-232 for Touch (Optional)	
	1 x S-Video (Optional)	
Environment	1 x Composite (Optional)	
	1 x VGA	
	Operating Temperature	-20 ~ 55°C
	Storage Temperature	-30 ~ 70°C
	Humidity	10 ~ 95% non-condensing
	Shock	Compliance with MIL810F/EN50155
	Vibration	Compliance with MIL810F/EN50155
Mechanical	EMC	CE, FCC ClassB
	Safety	Compliance with EN50155, MIL-STD 810F
	Dimension(W x H x D)	315.9 x 250.9 x 67mm
Packing List	R5W AD Board User's Manual Touch's Driver CD	
Product Optional Items	Mounting Bracket and Kits	One robust bracket with locking handle (can adjust from -5deg. to 90deg.)
	Video Input	Composite Video, S-Video for optional
	Anti-reflective Glass	3 mm (Replace touch)

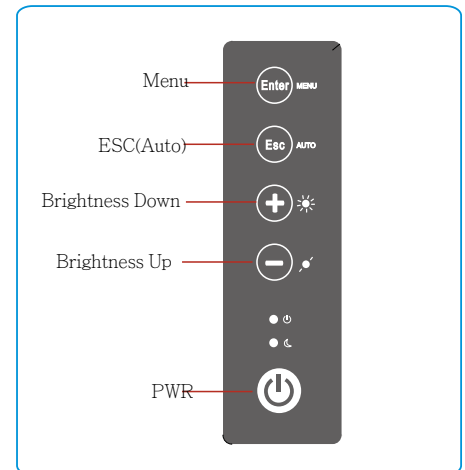
I / O View:



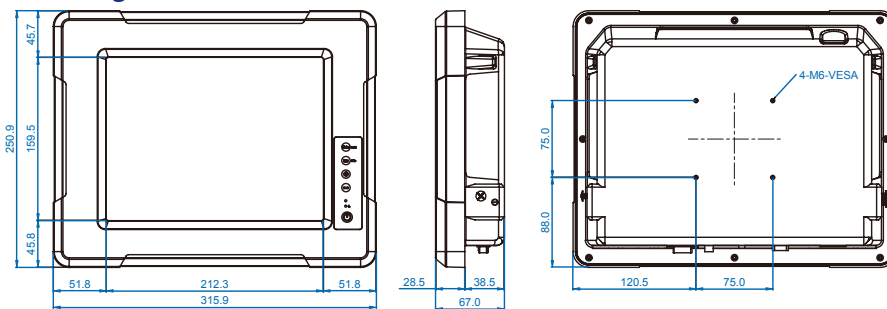
BOTTOM VIEW

1. 9~36V DC Terminal Block (Default)
2. DC Lockable Input (Optional)
3. RS-232 for Touch (Optional)
4. S-Video (Optional)
5. Composite (Optional)
6. VGA

Front OSD Control Function:



Drawing:

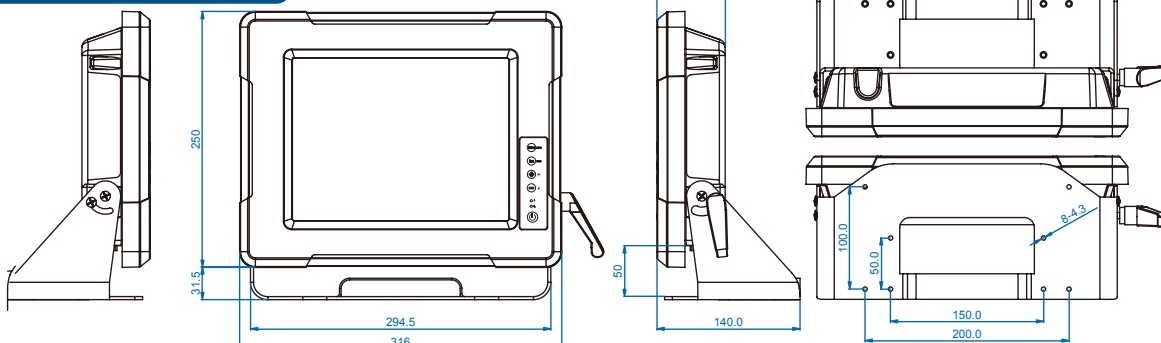


FRONT VIEW

SIDE VIEW

VIEW

Drawing w / Mounting Bracket



SIDE VIEW

FRONT VIEW

SIDE VIEW

REAR VIEW

Rev.	Reasons	Revised Date
1.4	Spec change	Oct. 30. 12
1.5	Pic change	Apr. 18. 13
1.6	Change picture	Jun. 05. 13