

# R10IB3S-IPA1WT

10.4" Front IP65 Panel PC



## KEY FEATURES

- 10.4" TFT SVGA LCD
- Intel® Celeron® Bay Trail-M N2930, 1.83 GHz Processor
- SODIMM DDR3L 1600/1333, max. 8 GB
- 2 x RS232, 1 x RS232/422/485, 1 x USB 3.0, 1 x USB 2.0, 2 x RJ45, 2 x PS/2, 1 x VGA, 1 x SATA II, 2 x Mini PCIe, 1 x eDP
- Front IP65 protection against water and dust
- -20~60°C operating temperature



## SPECIFICATIONS

System Specification			
<b>Processor</b>	Intel® Celeron® N2930 (2M Cache, up to 2.16 GHz)	<b>Memory</b>	1 x SO-DIMM, DDR3L 1600 MHz, 4GB 8GB (Optional)
<b>Storage</b>	1 x mSATA SSD 64GB. mSATA SSD up to 512GB. (Optional)	<b>Ethernet controller</b>	2 x Intel® Ethernet Controller I210-AT
<b>Security</b>	TPM 2.0	<b>Operating System</b>	Windows 7 Embedded Systems (Optional) Windows 10 IoT Enterprise (Optional) Linux Ubuntu 18.04 (Optional)
<b>WLAN</b>	802.11 a/b/g/n/ac (Optional)	<b>BT</b>	BT Support (Optional)
Display			
<b>Resolution</b>	800x600	<b>Size</b>	10.4 inches
<b>Contrast Ratio</b>	700:1	<b>Panel Brightness</b>	400 nits
<b>View Angles</b>	80,80,70,60	<b>Touch / Glass</b>	Resistive Touch Screen Protection Glass Without Touch Function (Optional)
Mechanical			
<b>Dimension</b>	284 x 234 x 55 mm	<b>Mounting</b>	Panel mount VESA Mount
<b>Enclosure</b>	Metal Housing	<b>Cooling System</b>	Fanless design
<b>Cut out</b>	262x199mm		
Environment			
<b>Operating Humidity</b>	30% to 90% (non-condensing)	<b>Operating Temperature</b>	-20~60°C
<b>Storage Temperature</b>	-30~70°C	<b>IP rating</b>	Front IP65
Certification			
<b>Certification</b>	CE, FCC		
IO Ports			
<b>USB Port</b>	1 x USB3.0 (Type-A) 1 x USB2.0 (Type-A)	<b>Serial Port</b>	1 x RS232/422/485 (Default RS232) 1 x RS232
<b>Video</b>	1 x HDMI 1.4 (Optional)	<b>Audio</b>	2 x Speaker
<b>Expansion Port</b>	1 x mPCIe slot(for half size Wifi module)	<b>LAN</b>	2 x Giga LAN RJ45 Connector
<b>Indicator</b>	1 x LED Indicator for power 1 x LED Indicator for storage	<b>Brightness Knob</b>	1 x Brightness Adjustment Knob

mini PCIe 1 x Mini PCIe(For WLAN)

**Control**

Button 1 x Power Button  
1 x Reset Button

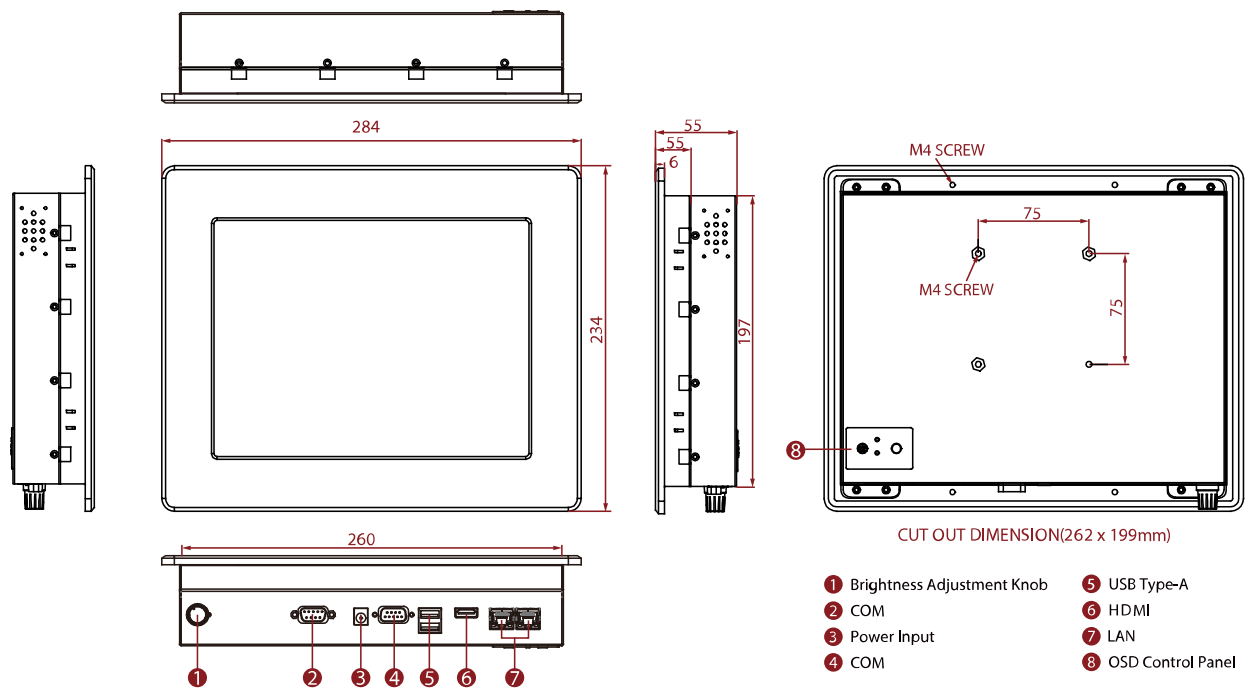
**Accessory**

Accessory 100~240V AC to DC Adapter  
Power Cord  
Driver CD & Manual  
VESA screws  
Mounting clips

**Power**

Power Rating 12V DC Adapter 12V 50W

**DIMENSIONS** UNIT:MM



**NOTE**

1. This is a simplified drawing and some components are not marked in detail.
2. Please contact our sales representative if you need further product information.
3. All specifications are subject to change without prior notice.
4. The product shown in this datasheet is a standard model. For diagrams that contain customized or optional I/O, please contact the Winmate Sales Team for more information.