

Winmate M-Series HMI Panel PC

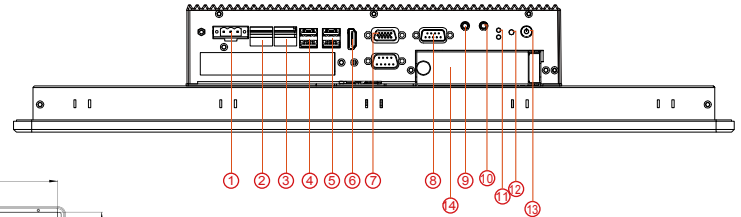
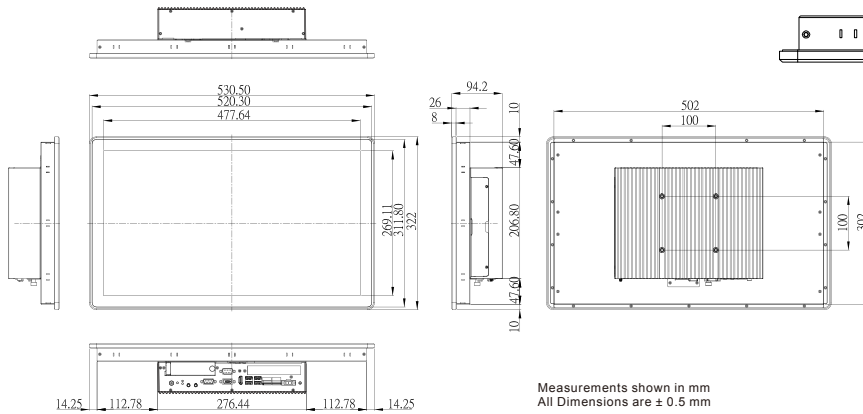
21.5" M-Series HMI with Intel® Core™ i5-5200U

W22IHWS-MHA3



Features:

- Projected Multi Touch Screen
- Fanless Design
- Modular Design for easy service in the field
- Support wide range 9-36V isolation DC input
- Quick & Easy Removable 2 Bay 2.5" SSD Slot



- | | |
|--------------------------|-------------------|
| 1. 9-36V isolation DC-in | 8. COM1 |
| 2. LAN | 9. Audio in |
| 3. LAN | 10. Audio out |
| 4. USB 2.0 x 2 | 11. HDD indicator |
| 5. USB 2.0 x 2 | 12. Reset |
| 6. HDMI output | 13. Power Button |
| 7. VGA output | 14. 2.5" SSD Bay |

* Note: this is a simplified drawing and some components are not marked in detail.
Please contact our sales representative if you need further product information.

System Specification

Processor	: Intel® Core™ i5-5200U Processor; 3M Cache up to 2.70 GHz
BIOS	: AMI UEFI BIOS
System Memory	: SODIMM DDR3L-1600 4GB, option up to 8GB (2 slots)
Graphic Chipset	: Intel® HD graphics 5500
Ethernet	: 1000 Base-Tx Gigabit Ethernet Compatible
Audio	: Realtek ALC886 codec
USB	: 4 x USB 3.0
Serial Port	: 1 x RS232/ 422 / 485, 1 x RS232 isolation
Expansion Slot	: 1 x PCIe x4
Main Storage	: Built-in 64G mSATA SSD
Second Storage (optional)	: Removable 2.5" 128G SSD x1
Touch Screen	: Projected Capacitive
Operating system (optional)	: Windows Embedded Standard 7 Windows Embedded 8 Standard Windows 10 IoT Enterprise

Display Specification

Display Size	: 21.5"
Active Display Area	: 476.64 (H) x 268.11 (V)
Pixel Pitch	: 0.248(H) x 0.248(V)
Display Color	: 16.7M
Resolution	: 1920 x 1080
Brightness	: 250 nits
Contrast Ratio	: 3000:1 (Typ.)
Viewing Angle	: 89/89/89/89

Mechanical Specification

Mounting	: Wall Mount / VESA Mount
Dimension	: 530.5 (L) x 322 (W) x 94.2 (H)

Power Supply

Power Input	: 9-36V isolation DC in with protection Fuse
Power Adapter	: 110-240AC to 12V DC out 80W power Adapter

Environmental Specification

Operation Temperature	: 0~ 50°C
Operating Humidity	: 30%-95% at 40°C (non-condensing, RH)
Water Proof	: Front: IP65; Rear: IP20 / Fanless

I/O Connectors

I/O Connectors	: 9-36V isolation DC in x1 (Terminal Block 3pin)
	Gigabit LAN x 2
	USB3.0 x4
	HDMI Output x1
	D-Sub15 (VGA) Output x1
	RS232/422/485 selectable serial port x1
	RS232 isolation serial port x1
	Audio in Jack x1
	Audio out Jack x1
	Reset key x1
	Power Button x1
	2.5" SSD indicators x2

Accessories

- Mounting clips & screws
- 12V 80W power adapter
- Power cord
- Driver CD