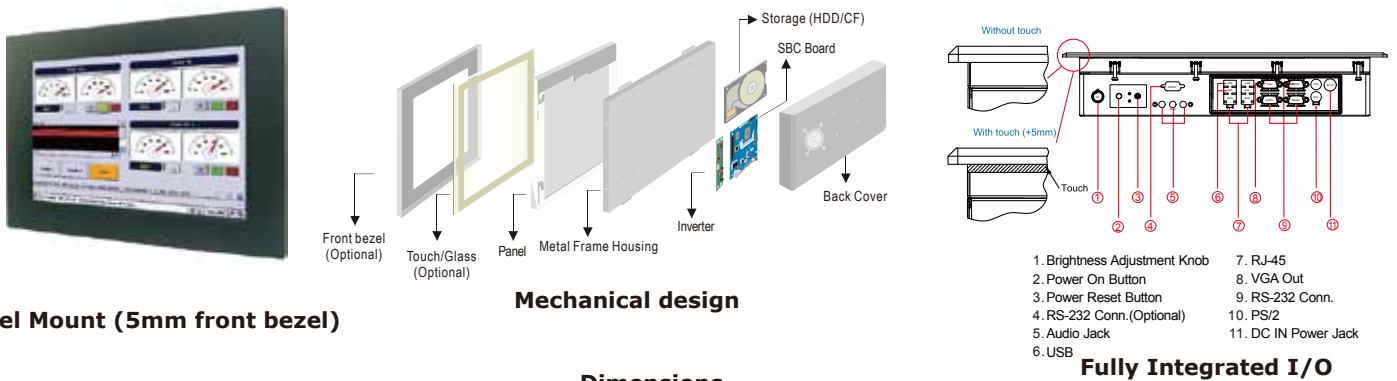


W15IH7T-PMA2 15.6" Panel PC (Intel® 4th Generation Core™ i5 Platform)

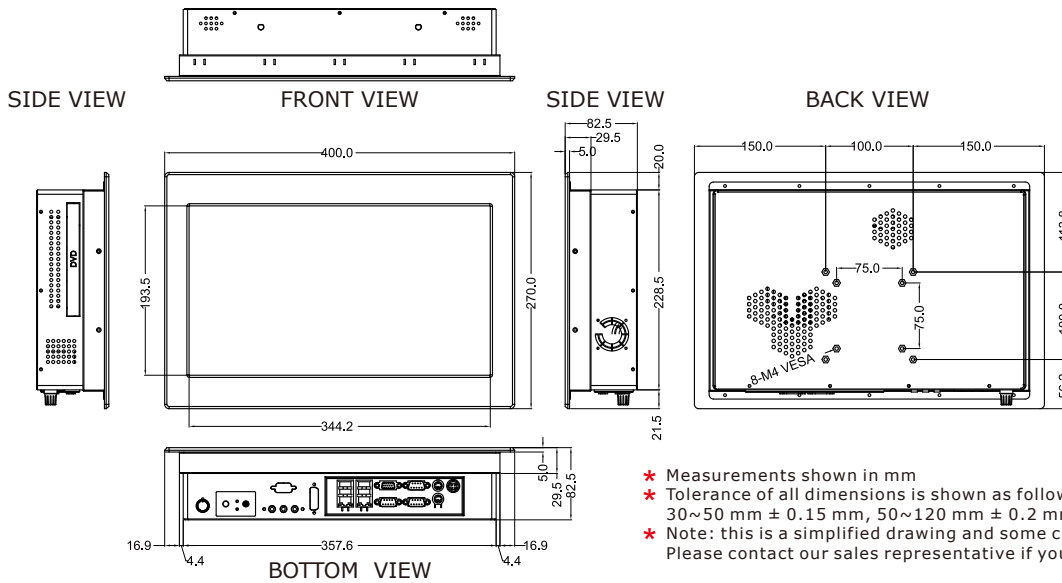
Mechanical Design



Panel Mount (5mm front bezel)

Mechanical design

Dimensions



Fully Integrated I/O

Specifications

System

- CPU : Intel® 4th Generation Core™ i5
- Memory Slot : 2 x SO-DIMM, Max 16GB DDR3L 1333/1600
- System Chipset : Intel® QM87 Chipset
- IDE/SATA : 2XSATA III
- LAN : Intel® Ethernet Controller I211-AT + Intel® Gigabit Ethernet PHY I218-LM
- Audio Codec : Realtek ALC886 HD Audio Codec

Input / Output

- Serial Ports : 2 x RS232, 1 x RS232/422/485
- USB Ports : 4 x USB 3.0
- Keyboard / Mouse : 2 x PS/2
- Ethernet : 2 x RJ45-10/100/1000 Mbps
- VGA : 1 x VGA (female)
- Audio : Line-out, Line-in, Mic in

• Default setting:RS232

Expansion Slot

- 2 x Mini PCIe (1 for WiFi, 1 for 3G Module), 1 x PCI
- * A customized housing is needed if you would like to have the PCI expansion.

Power Specifications

- Power Input : 12V DC IN (Lockable Power Jack)
- Power Consumption : 58W (typ.)(Max.backlight & high CPU load)

Accessories

- External Adapter : 110~230V Ac-in Power Adapter

Panel Spec

- Size/Type : 15.6" TFT LCD
- Resolutions : 1366 x 768
- Brightness : 300 cd/m² (typ.)
- Contrast Ratio : 500 : 1 (typ.)
- Viewing Angles : -85~85(H); -80~80(V)
- Max Colors : 16.7M

Environment Considerations

- Operating Temperature : 0 deg.C to 45deg.C
- Operating Humidity : 30% to 90% (non condensing)

OS BSP / Driver Support

- Support Windows 7 / Windows 8 embedded

Order Options

Mechanical : Panel Mount (10mm bezel)	Storage : 2.5" HDD/ 2.5" SSD
Touch : 5-Wires Resistive(Optional)	RAM : DDR3L 1333/1600 MAX 16GB
	OS : Windows 7 / Windows 8 embedded
(A customized housing is needed if you have demands of SAW/IR/IT/SC touch)	



Rev.	Reasons	Revised Date
1.0	First release	Jul-16-14
1.1	Spec change	Jul-21-2014

Note: All Specifications are subject to change without prior notice!

Revised Date:07/21/2014