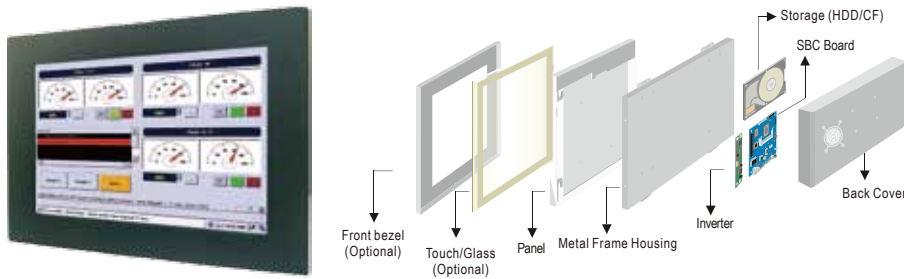


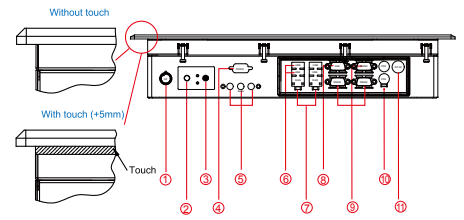
W15IB7T-PMA2 15.6" Panel PC (Intel® Celeron® Bay Trial-M N2930 1.83GHz)

Mechanical Design



Panel Mount (5mm front bezel)

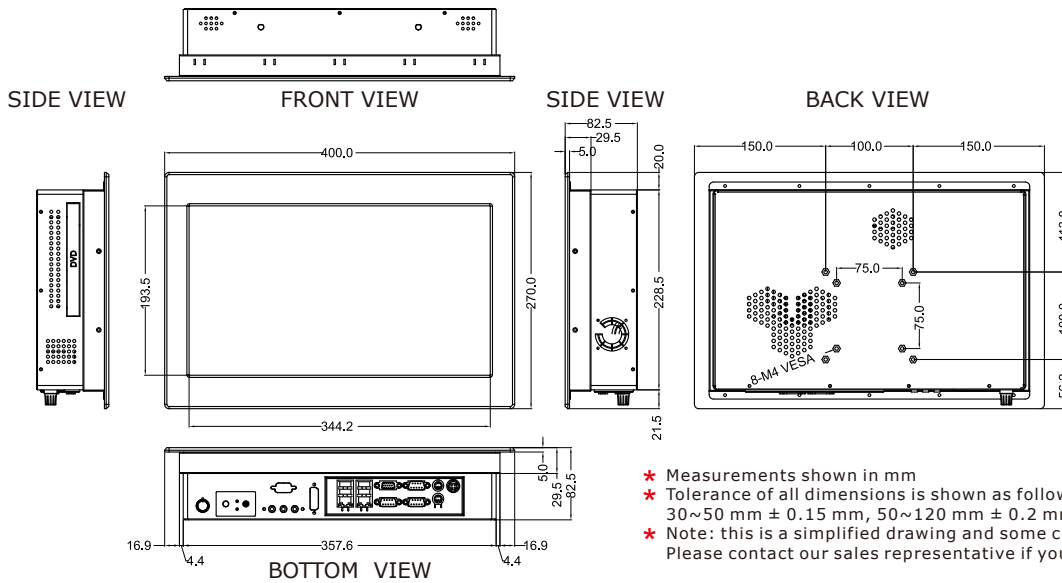
Mechanical design



1. Brightness Adjustment Knob
2. Power On Button
3. Power Reset Button
4. RS-232 Conn.(Optional)
5. Audio Jack
6. USB (1 X 3.0, 2 X 2.0)
7. RJ-45
8. VGA Out
9. RS-232 Conn.
10. PS/2
11. DC IN Power Jack

Fully Integrated I/O

Dimensions



- * Measurements shown in mm
- * Tolerance of all dimensions is shown as follow 0~30 mm ± 0.1 mm, 30~50 mm ± 0.15 mm, 50~120 mm ± 0.2 mm, above 120 mm ± 0.25 mm
- * Note: this is a simplified drawing and some components are not marked in detail. Please contact our sales representative if you need further product information.

Specifications

System :

- CPU : Intel® Celeron® Bay Trial-M N2930 1.83GHz
- Memory Slot : DDR3 1066 MHz SO-DIMM Slot, Max. 8GB
- System Chipset : Intel ATOM SoC Integrated
- IDE/SATA : 1 x SATA II
- LAN : Intel WG82574L GbE LANx2
- Audio Codec : Realtek ALC886 HD Audio Codec

Input / Output :

- Serial Ports : 1 x RS-232, 1 x RS-232/422/485
- USB Ports : 1 x USB 3.0, 1 x USB 2.0
- Ethernet : 2 x RJ45-10/100/1000 Mbps
- HDMI : 1 x HDMI
- Power : 1 x DC-in Power Jack(+12V)

Expansion Slot :

- 2 x Mini PCIe (1 for WiFi, 1 for SATA SSD)

Power Specifications :

- Power Input : 12V DC IN (Lockable Power Jack)
- Power Consumption : 32W (typ.)(Max.backlight & high CPU load)

Accessories :

- External Adapter : 110~230V Ac-in Power Adapter

Panel Spec

- Size/Type : 15.6" TFT LCD
- Resolutions : 1366 x 768
- Brightness : 300 cd/m² (typ.)
- Contrast Ratio : 500 : 1 (typ.)
- Viewing Angles : -85~85(H);-80~80(V)
- Max Colors : 16.7M

Environment Considerations

- Operating Temperature : 0 deg.C to 45deg.C
- Operating Humidity : 30% to 90% (non condensing)

OS BSP / Driver Support

- Support Windows 7 embedded / Windows 8 embedded

Order Options

Mechanical : Panel Mount(10 mm bezel)	Storage : 2.5" HDD mSATA SSD
	RAM : DDR3 1066 Max 8GB
Touch : 5-Wire Resistive(Optional)	OS : Windows 7 embedded / Windows 8 embedded (Optional)
(A customized housing is needed if you have demands of SAW/IR/IT/SC touch)	



Rev.	Reasons	Revised Date
1.0	First release	July-07-14

Note: All Specifications are subject to change without prior notice!

Revised Date:07/07/2014