

Stainless Panel PC

(Intel® Core i7 Platform)

Stainless Flat Touch Panel PC

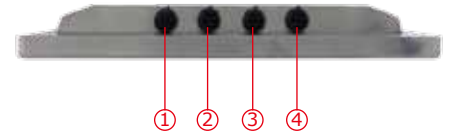
MODEL #: R15IV3S-65A1FTE

Mechanical Design

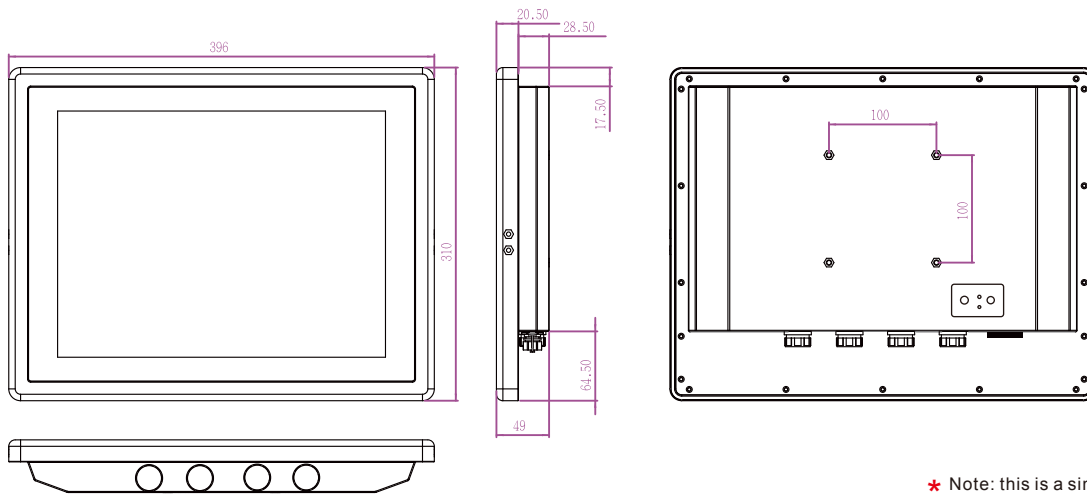


Features

- Designed with NEMA 4 (IP65) dust proof and water protection
- Robust and fanless design for reliable operation
- Fanless Colling System and Ultra Low power consumption
- Support Intel Core i7 processor
- Stainless Housing suitable for food, and medical industries
- Special Flat Touch Design easy to maintain
- ELO 5W Resistive Touch (R15IV3S-65A1FTE)



1. Power (12V DC in)
2. COM
3. LAN
4. 2 X USB



* Note: this is a simplified drawing and some components are not marked in detail. Please contact our sales representative if you need further product information.

System Specifications

TFT Characteristics :

- Resolutions : 1024 x 768
- Brightness : 400 cd/m² (typ.)
- Contrast Ratio : 700 : 1(typ.)
- Viewing Angles : -80~80(H);-60~80(V)
- Max Colors : 16.2M

Accessories :

- External Power Supply 90W w/power cord

Mechanical Specification :

- Cooling System : Fanless design
- Dimension(W x H x D) : 396 x 310 x 49(mm)

System Specifications :

- Processor : Intel® Core i7-3517UE 1.7GHz
- BIOS : AMI 16Mbit Flash
- System Chipset : Intel® HM76
- Memory Slot : 1x DDR3 SO-DIMM 1333/1600 MHz, max 8GB
- Audio : Realtek ALC886 HD Audio Codec
- SATA : 2 x SATA II
- Expansion Slot : 1 x Mini PCIe (for SATA SSD) ; 1 x Mini PCIe (For wireless Module)
- Certification : CE, FCC, RoHS

* A customized housing is needed if you would like to have the PCI expansion.

Environment Considerations :

- Operating Temperature : -20°C ~55°C
- Operating Humidity : 30% to 90% (non condensing)

Input/ Output Connectors :

- Ethernet LAN : 1 x RJ45-10/100/1000 Mbps
- COM : 1 x RS232(Optional RS422/RS485)
- USB : 2 x USB Type-A Receptacle
- Power : 1 x 12VDC

Power Specifications :

- Power Input : 12V DC IN (Lockable Power Jack)
- Power Consumption : 35W (typ.)(Max.backlight & high CPU load)

Order Options :

SBC	PANEL PC
RAM : SO DIMM DDR3 1GB /2GB /4GB	Mechanical : Stainless Chassis
Storage : 2.5" HDD/SSD/mSATA	Touch : ELO 5 Wires Resistive(Default)
	OS : Windows XPE(Optional) Windows 7 embedded

Rev.	Reasons	Revised Date
1.1	Spec Change	Aug-05-2013
1.2	Spec Change	Sep-12-2013
1.3	Spec Change	Nov-29-2013



Note: All Specifications are subject to change without prior notice!

Revised Date:11/29/2013