

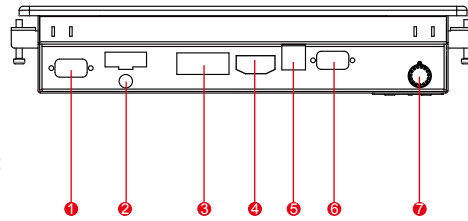
# R10IH3S-PPT2

## 10.4" P-CAP Panel PC (Intel® 4<sup>th</sup> Generation Core™ i5 Platform)

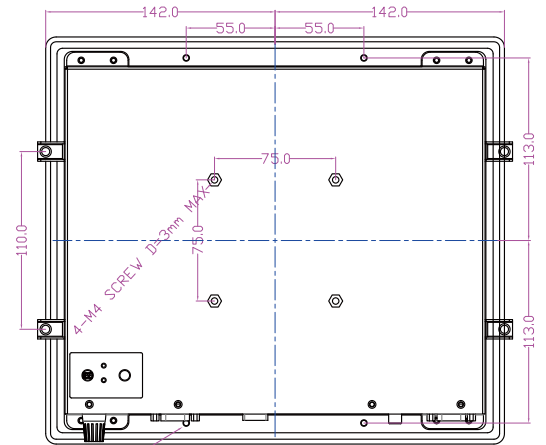
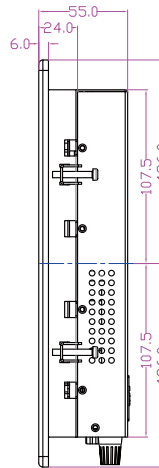
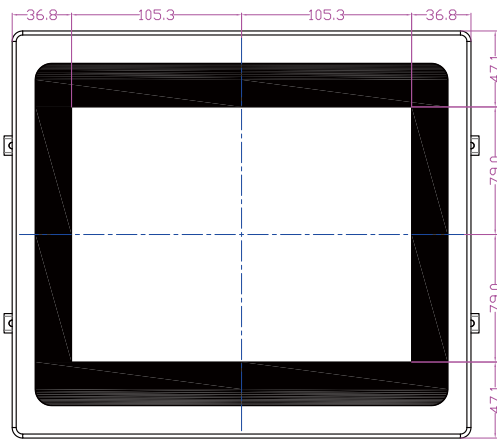
Mechanical Design



**Real Flat Panel Mount  
(IP65 front side)**



1. RS232
2. 12V DC IN
3. LAN x 2
4. HDMI
5. USB3.0 x 2
6. RS232(Optional 422/485)
7. Brightness Adjustment Knob



**CUT OUT DIMENSION(262x218mm)**

### Specifications

#### System :

- Processor : Intel® 4<sup>th</sup> Generation Core™ i5-4200U 1.6GHz
- System Chipset : Intel® QM87 Chipset
- System Memory : 1 x DDR3L 1333/1600 SO-DIMM (Default 4GB Max 8GB)
- Storage : 64GB mSATA SSD
- LAN : Intel® Ethernet Controller I211-AT + Intel® Gigabit Ethernet PHY I218-LM
- Audio : Realtek ALC886 HD Audio Codec

#### Input / Output :

- Serial Ports : 1 x RS232(Optional 422/485)  
1 x RS232
- USB Ports : 2 x USB 3.0
- Ethernet : 2 x RJ 45-10/100/1000 Mbps
- VGA : 1 x VGA (female)
- HDMI : 1 X HDMI

#### Power Specifications :

- Power Input : 12V DC IN
- Power Consumption : 80W (Max backlight & High CPU load)

#### Accessories

- External Adapter : 110~230V Ac-in Power Adapter

#### Panel Spec :

- Size/Type : 10.4" TFT
- Resolutions : 1024x768
- Brightness : 350 nit (typ.)
- Contrast Ratio : 1200 : 1 (typ.)
- Viewing Angle : -88~88(H); -88~88(V)
- Max Colors : 16.2M colors

#### Mechanical Specification :

- Cooling System : Fanless design
- Mounting : VESA Mount(75x75mm)
- Dimension (W x H x D) : 284 x 252 x 55 (mm)
- Cut out Dimension : 262 x 218 (mm)

#### Environment Considerations :

- Operating Temperature : 0 deg.C to 50deg.C
- Operating Humidity : 30% to 90% (non condensing)

#### OS Support

- Window Embedded Std. 7
- Window 7 PRO for Embedded System
- Window Embedded 8.1 Industry Pro



Rev.	Reasons	Revised Date
1.0	First release	Apr -02-15