

# Rugged Panel PC

G-WIN®

Model:R10ID3S-VMT2

## Product Features:

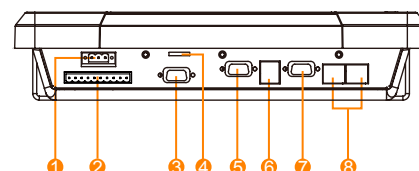
- Intel® Atom D2550 1.86 GHz Processor
- High Quality 10.4" Panel, 1024 x 768 resolution
- Full IP65 Dust / Water Proof Enclosures (Except I/O parts)
- Aluminum Housing with Anti-Corrosion Treatments
- Anti-Shock and Vibration Standard according to MIL-STD-810 & IEC60068-2-27
- 5 Wire Resistive / Infrared Touchscreen / Anti-Reflective Protection Glass (Optional)
- Optional GPS, 3G / WLAN(Either one). Digital IO / Canbus (Either one)
- Wide Range 9 to 36V DC Input Acceptable
- Compliance with EN50155

## Product Specifications:

Display	Model Name	R10ID3S-VMT2
	Size	10.4"
	Resolution (pixels)	1024 x 768
	Number of Colors	16.2M ( 6 bits+FRC )
	Brightness (cd/m <sup>2</sup> )	350 (typ.)
	Contrast Ratio	1200 :1 (typ.)
	Viewing Angle	-88~88 (H) ; -88~88 (V)
	Active Area	201.4 (H) x 157.8 (V)
System	Touch (optional)	5 Wire Resistive / IR Touch
	Processor	Intel®Atom™ Processor D2550 1.86GHz
	Chipset	Intel® NM10
	BIOS	AMI 16Mbit Flash
	Memory	1xDDR3 800/1066 MHz SO-DIMM Max. 4GB
	Ethernet	Dual Broadcom BCM57780 GbE
	Storage	2.5" SSD
	Expansion Slot	1 x Mini PCIe slot (for wireless module) 1 x Mini PCIe slot (for SATA SSD)
Input / Output	Back Panel I/O Port	2 x RJ-45 (10/100/1000 Mbps)
		1 x VGA(DB-15)
		1 x DC-in Jack (Phoenix type)
		2 x USB 2.0
Environment		1 x RS232/422/485, 1 x RS232
		WLAN antenna SMA in top (Optional)
	Operating Temperature	-25 deg.C to 55 deg.C
	Storage Temperature	-30 deg C to 70 deg C
	Humidity	10% to 95% (non condensing)
	Shock*	Operating:30g for 18ms, 300m/s <sup>2</sup>
	Vibration*	Operating: 1.60/1.96/2.18 g rms for XYZ / 5-500Hz
	Power Input	9~36V DC in (Phoenix type)
Mechanical	Power Consumption	68W typ.
	Dimensions (W x L x H)	315 mm x 250 mm x 67 mm
Driver OS Support	Windows 7 embedded / Windows XP embedded	
Certifications	CE/FCC ClassB, MIL810F / IEC60068-2-27 for Vibration / Shock	
Packing List	G-Win ID30 User's Manual (ID30) SBC Manual & Driver CD	

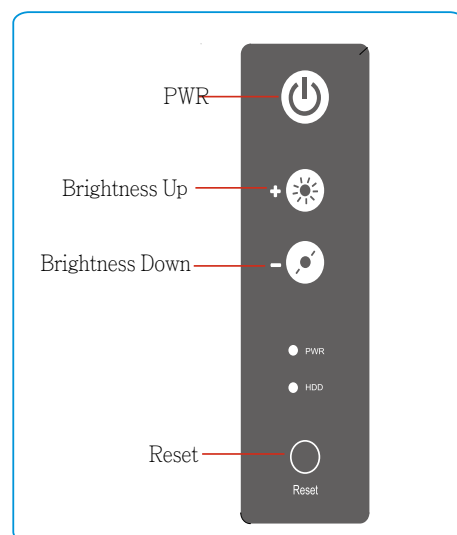


## I / O View:

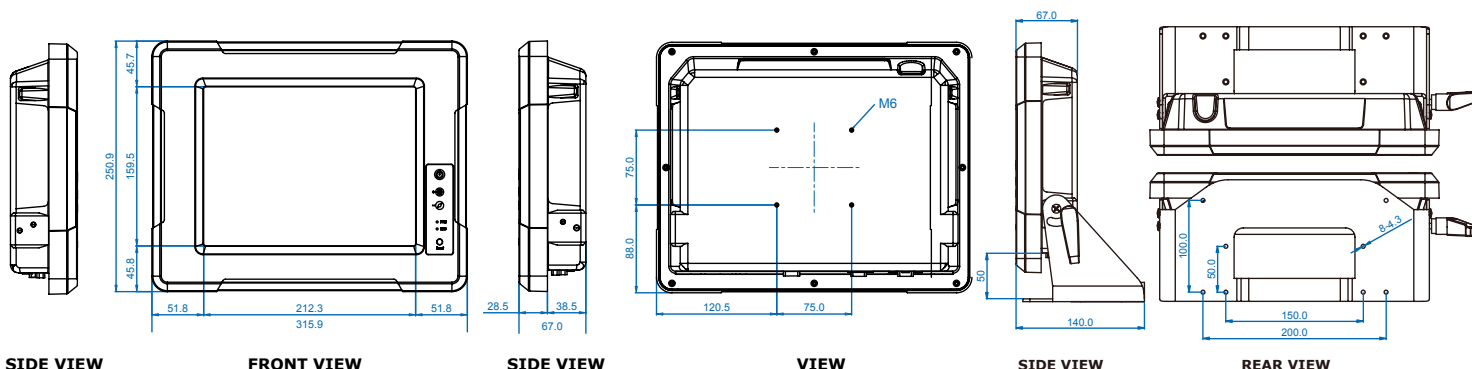


- |                            |         |
|----------------------------|---------|
| 1. DC in 9~36V             | 5. VGA  |
| 2. CanBus / DIO (Optional) | 6. USB  |
| 3. COM4                    | 7. COM1 |
| 4. 3G SIM Card (Optional)  | 8. LAN  |

## Front OSD Control Function:



## Drawing w / Mounting bracket:



SIDE VIEW

FRONT VIEW

SIDE VIEW

VIEW

SIDE VIEW

REAR VIEW

Rev.	Reasons	Revised Date
1.3	Spec change	Mar.20.14