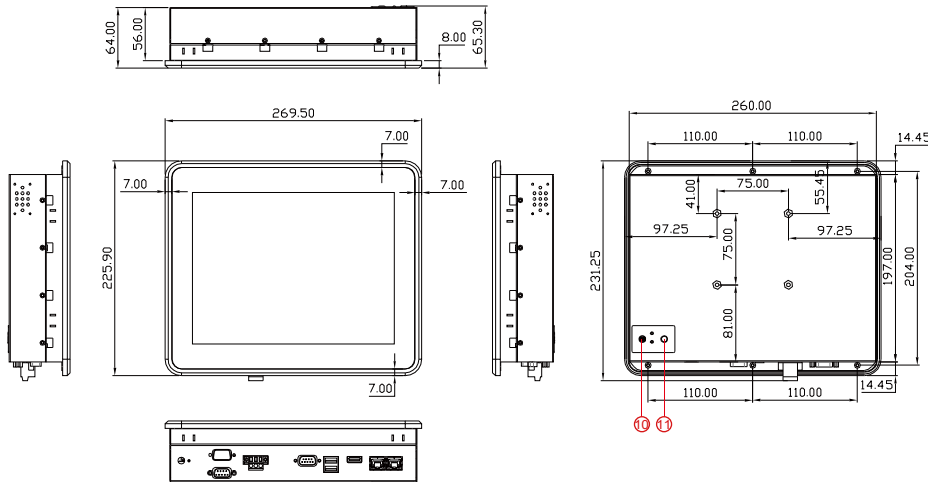


# Winmate M-Series HMI

10.4" M-Series HMI with Intel® Celeron N2930

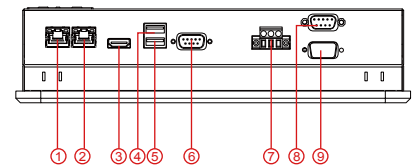
R10IBWS-MHT2



Measurements shown in mm  
All Dimensions are ± 0.5 mm

## Features:

- Signature true flat display screen with edge to edge design
- Aluminum, anti-corrosion treated housing
- Superior Sealing with front IP65 protection against dust and water
- Projected Capacitive Multi Touch Screen
- Fanless Design
- Support wide range 9-36V isolation DC input



1. LAN
2. LAN
3. HDMI output
4. USB 2.0 x 1
5. USB 3.0 x 1
6. COM1
7. 9-36V isolation DC-in
8. COM2
9. COM3 (optional)
10. Reset button
11. Power button

\* Note: this is a simplified drawing and some components are not marked in detail.  
Please contact our sales representative if you need further product information.

## System Specification

Processor	: Intel® Celeron® Bay Trail-M N2930 1.83GHz
System Memory	: 4GB DDR3L 1066/1333 SODIMM
System Chipset	: Intel® ATOM SoC Integrated
Ethernet	: Dual Intel® WG82574L GbE LAN
Audio	: Realtek ALC886 codec
Main Storage	: Built-in 64 GB mSATA SSD
Touch Screen	: Projected Capacitive
Operating system (optional)	: Windows Embedded Standard 7 Windows Embedded 8 Standard Windows 10 IoT Enterprise

## Display Specification

Display Size	: 10.4"
Active Display Area	: 201.4(H) x 157.8(V)
Pixel Pitch (mm)	: 0.0685(H) x 0.2055(V)
Display Color	: 16.2M
Resolution	: 1024 x 768
Brightness	: 350 nits
Contrast Ratio	: 1200:1 (Typ.)
Viewing Angle	: 88/88/88/88

## Mechanical Specification

Mounting	: Wall Mount / VESA Mount
Dimension	: 269.5 (L) x 226 (W) x 65.3 (H)

## Power Supply

Power Input	: 9-36V isolation DC in
Power Adapter	: 110-240AC to 12V DC out 80W power Adapter

## Environmental Specification

Operation Temperature	: 0~ 50°C
Operating Humidity	: 30%-95% at 40°C (non-condensing, RH)
Water Proof	: Front: IP65; Rear: IP20 / Fanless

## I/O Connectors

I/O Connectors	: 9-36V isolation DC in x1 Gigabyte LAN x2 USB2.0 x1 USB3.0 x1 HDMI Output x1 D-Sub15 (VGA) Output x1 COM1 x1 COM2 x1 COM3 (optional) x1 Power button x1 Reset button x1
----------------	--------------------------------------------------------------------------------------------------------------------------------------------------------------------------------------------------------

## Accessories

- Mounting clips & screws
- 12V 80W power adapter
- Power cord
- Driver CD