

# LYNC-708

## 8" Wall-Mount Panel PC with Intel® Atom™ Processor N2600 1.6GHz



### Features

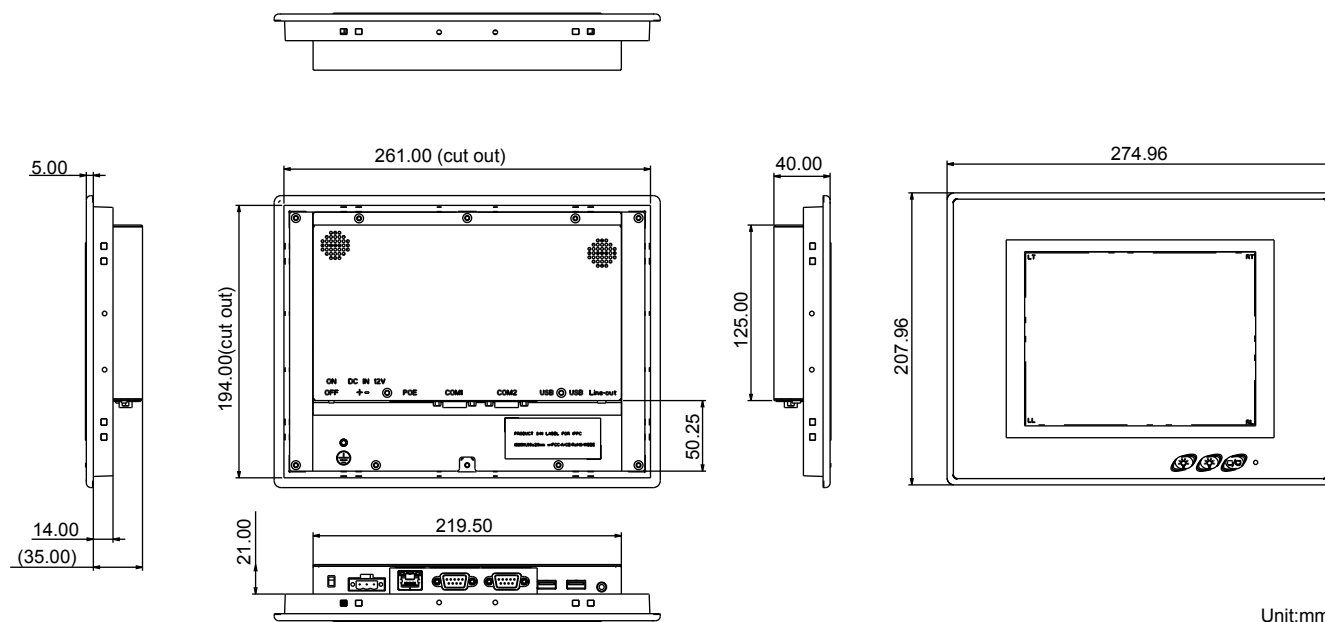
- Cableless and Fanless Design
- Flexible Modular Design
- 8" 1024 x 768 XGA LCD Display w/ LED Backlight
- Front Bezel with Completely Covered Membrane
- Flush Front Panel, IP65-Compliant
- Brightness Control Button
- Anti-spark Power Circuit
- Featuring Power Input thru Terminal Block or Power over Ethernet Power Device mode

<b>System</b>	
CPU	Intel® Atom™ Processor N2600 1.6GHz
Graphic Controller	Intel® GMA3600
Memory	2GB DDR3 memory soldered on board
Chipset	Intel® NM10
Ethernet	1 x Intel® 82583V GbE controller
Watchdog Timer	1~255 levels reset
<b>Storage</b>	
1st Device	1 x mini card slot for mSATA SSD
<b>Audio</b>	
Speaker	2 x 1.5W Speaker
Line out	1 x Line-out phone jack
<b>LCD Display</b>	
Size/Type	8" TFT LCD Panel
Max. Resolution	1024 x 768 (XGA)
Max. Colors	16.2M
Luminance	300 cd/m <sup>2</sup>
Touch Screen	5 Wire Resistive Single Touch
View Angle (U/D/R/L)	75°/75°/70°/70°
<b>Button &amp; Indicator</b>	
Membrane Keypads	Brightness up/down, Screen on/off
LED Indicator	Power on LED
<b>Power System</b>	
Power Input	DC 12V from Terminal Block or Power over Ethernet from RJ-45 Jack
<b>Certification</b>	
EMC / EMI	CE, FCC Class A
<b>Expansion</b>	
Expansion Bus	1 x mini-card socket for mSATA SSD

<b>External I/O</b>	
Serial Ports	2 x RS-232 DB-9 ports
USB Ports	2 x USB 2.0/1.1 Type-A ports
Ethernet Port	1x RJ-45 GbE port w/ IEEE 802.3af & 802.3at PoE PD
<b>Mechanical</b>	
Mounting Type	Wall Mounting and VESA-75/100 Mounting
Chassis	Panel-mounting chassis, Aluminum Front Bezel and SECC steel chassis
Dimension (W x H x D)	274.96 x 207.96 x 40.0 mm (10.82" x 8.18" x 1.57")
Weight (Net)	1.93 kg (4.25lb)
Regulatory	CE/FCC Class-B
<b>Environmental</b>	
Operating Temp.	0 ~ 60°C (32 ~ 140°F)
Storage Temp.	-20 ~ 70°C (-4 ~ 158°F)
Operating Humidity	10 ~ 95% RH @ 60°C (non-condensing)
Vibration	5 ~ 500Hz, 2Grms Random
Shock	Operating 20G, 11ms
<b>OS Support</b>	
Windows 7 Professional / Windows Embedded 7 Standard (WS7E)	
<b>Ordering Information</b>	
LYNC-708	Intel® Atom™ Processor N2600 Wall-Mount panel PC w/ 2GB memory



# Dimensions



Unit:mm

## Optional Accessories

PAC-P060W-02                      60W AC/DC Power Adapter Kit



## Optional Accessories (CTOS\* Kit)

32GB SSD                              mSATA MLC 32GB



\*CTOS means Configure-to-Order Service.