

Stand Alone LCD

USB Type-C Display

15.6" (16:9)

Specifications



Model Name	W15L100-PCA3-C
Panel Size	15.6"
Active Display Area (mm)	344.16 (H) x 193.59 (V)
Resolution	1920 x 1080
Contrast Ratio	700:1 (Typical)
Display Colors	16.2M
Brightness	300 nits (Typical)
Viewing Angle (CR>=10)	-85~85(H) ; -85~85 (V)
Standard Input Signal	USB Type-C Connector
Touch Screen	Projected Capacitive Multi-touch (Default) or Protection Glass (non-touch) (Optional)
Speakers	2 x 1W Speaker
OSD	7 Keys OSD Control
Power Source	USB Type-C Alt mode Power source needs to support 5V/3A
Power Consumption	13W typical , Normal operation
Operating Temperature	0~50°C
Storage Temperature	-10~60 °C
Accessories	1 x USB Type-C cable(Optional)
Certifications	CE, FCC

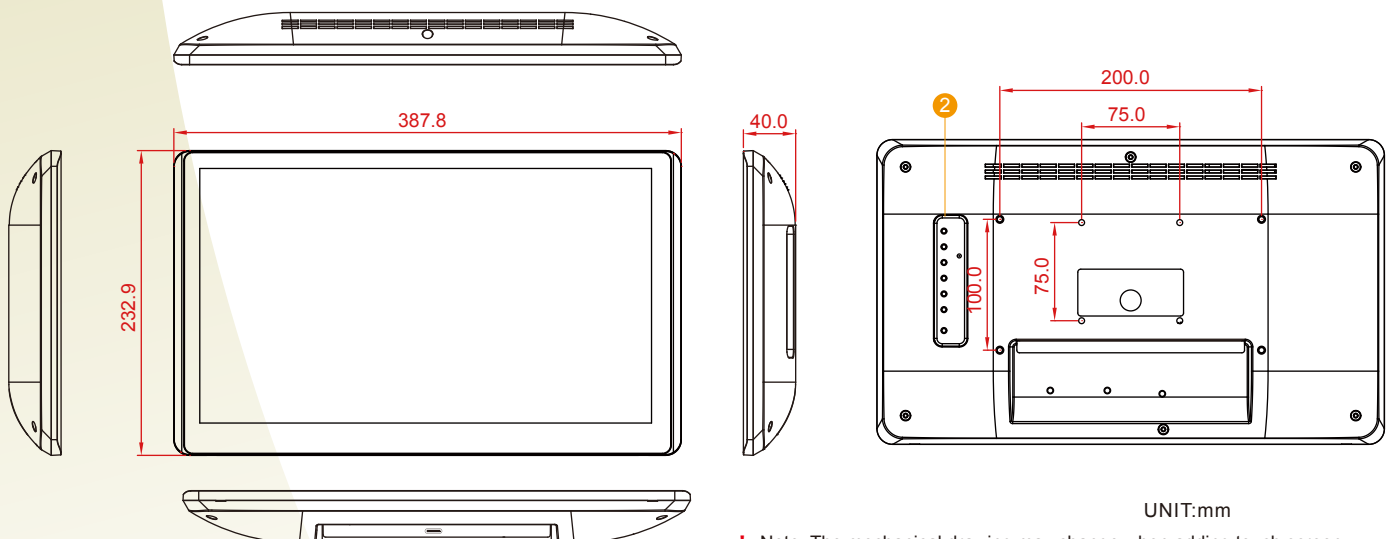


1

1. USB Type-C Connector
2. OSD Button

*Outside dimension and I/O will be different from standard.

Mechanical Drawing (without touch)



* Note: The mechanical drawing may change when adding touch screen.
Please contact our sales representative if you need further product information.