

Full IP65 Chassis LCD

20.1" (Stainless Design)



Specifications

| | |
|--------------------------------|--|
| Model Name | R20L100-65A2 |
| Viewable Size Image | 20.1" |
| Active Display Area(mm) | 408.0 (H) x 306.0 (V) |
| Pixel Pitch(mm) | 0.255(H) x 0.255(V) |
| Number of Pixels | 1600x1200 |
| Contrast Ratio | 800:1(typ.) |
| Display Color | 16.7M (8bits/color) |
| Brightness(cd/m ²) | 300(typ.) |
| Viewing Angle(CR>=10) | -89~89 (H); -89~89 (V) |
| Synchronization Range | |
| Horizontal/Vertical | 31.5~80.0KHz / 60~75Hz |
| Recommended Resolution | 1600x1200@60HZ,75HZ |
| Signal Connector | 15 pin D-Sub |
| I/O | 3 pin Power cable(IP65 connector); 10 pin VGA cable (IP65 connector); Optional 10 pin RS232 or USB cable(IP65 connector) |
| Power Source | 12V DC in, with External AC to DC Adapter (100~240V AC) |
| Power Consumption | 41W typical, normal operation |
| Power Management | VESA DPMS Compliant |
| Plug & Play | VESA DDC 1/2B |
| Optional Touch Screen | Resistive |
| Optional video | Yes |
| Mounting Stand | Optional |

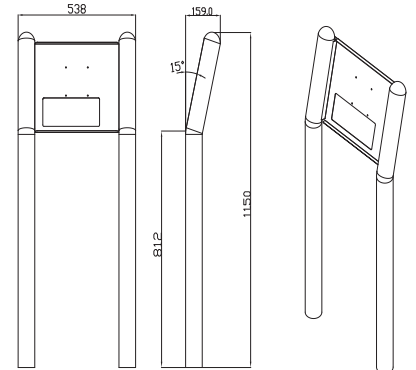
*Due to Panel material's deviation, different panel supplier will set different specific variance range to optical characteristics. The factors of time used, Lamp current, Ambient temperature will influence the optical measurements.



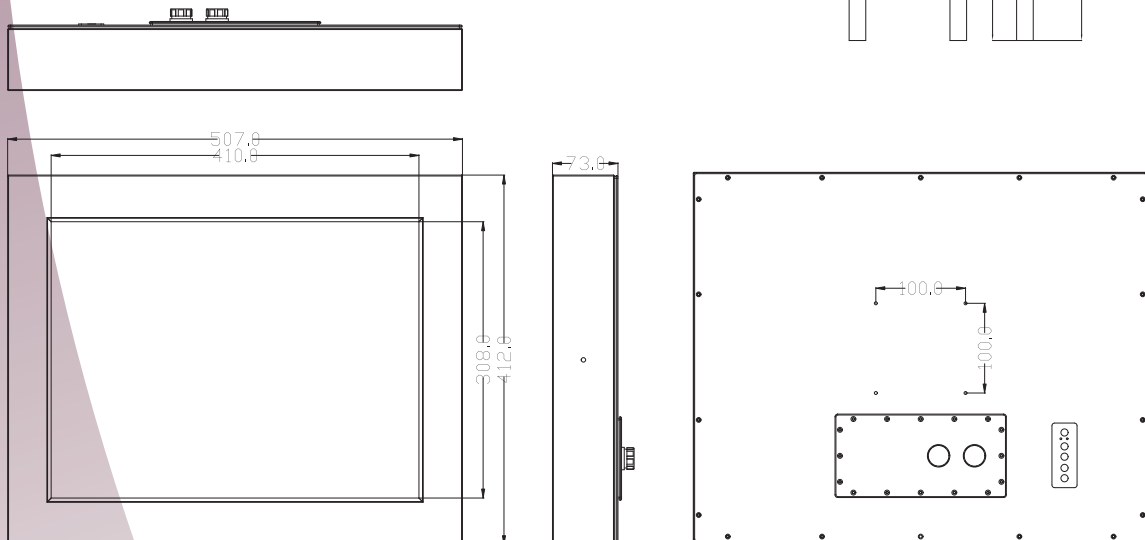
Standard:
brushed stainless

Optional:
black, high polish, varnished coating

Mounting Stand
(optional)



Mechanical Drawing



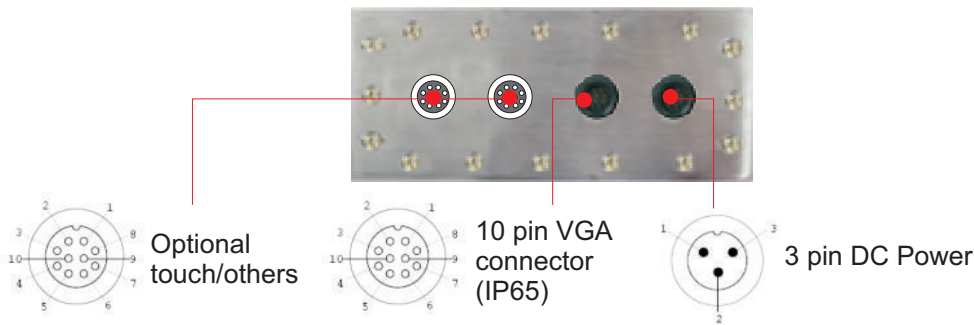
* Note: this is a simplified drawing and some components are not marked in detail. Please contact our sales representative if you need further product information.

| Rev. | Reasons | Revised Date |
|------|----------------|--------------|
| 1.0 | Drawing change | Mar-19-09 |
| 1.1 | Spec change | Nov-13-12 |

Full IP65 Chassis LCD

IO Layout

Back Side (I/O)

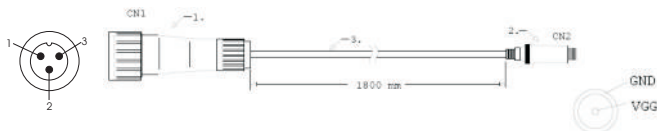


Cable List

| LCD | IP65 connector | PC side IO type |
|-----------------|----------------|-----------------|
| DC power | 3pin | Female(2.5 fai) |
| USB(optional) | 10pin | Male(type A) |
| RS232(optional) | 10pin | Female(D-sub 9) |
| VGA | 10pin | Male(D-sub 15) |

IP65 Cable/Pin Define

DC Power



| Pin No. | Symbols | Color | Pin No. | Symbols | Color |
|---------|---------|-------|---------|---------|-------|
| CN1-1 | VCC | Red | CN2 | VCC | Red |
| CN1-3 | GND | Black | CN1 | GND | Black |
| CN1-2 | Shield | | Shield | | |

RS232



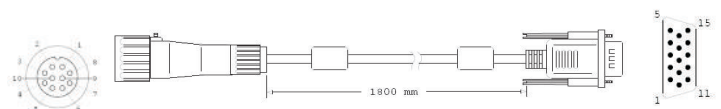
| Pin No. | Symbols | Color | Pin No. | Symbols | Color |
|---------|----------|--------|---------|----------|--------|
| CN1-1 | DCD-CON2 | Green | CN2-1 | DCD-CON2 | Green |
| CN1-2 | DSR-CON2 | Brown | CN1-6 | DSR-CON2 | Brown |
| CN1-3 | RXD-CON2 | Red | CN1-2 | RXD-CON2 | Red |
| CN1-4 | RTS-CON2 | Orange | CN1-7 | RTS-CON2 | Orange |
| CN1-5 | TXD-CON2 | Blue | CN1-3 | TXD-CON2 | Blue |
| CN1-6 | CTS-CON2 | White | CN1-8 | CTS-CON2 | White |
| CN1-7 | DTR-CON2 | Purple | CN1-4 | DTR-CON2 | Purple |
| CN1-8 | RI-CON2 | Yellow | CN1-9 | RI-CON2 | Yellow |
| CN1-9 | GND-CON2 | Black | CN1-5 | GND-CON2 | Black |
| CN1-10 | NC | | CN1-10 | NC | |

USB



| Pin No. | Symbols | Color | Pin No. | Symbols | Color |
|---------|---------|-------|---------|---------|-------|
| CN1-1 | VCC | Red | CN2-1 | VCC | Red |
| CN1-2 | D- | White | CN2-2 | D- | White |
| CN1-3 | D+ | Green | CN2-3 | D+ | Green |
| CN1-4 | GND | Black | CN2-4 | GND | Black |
| CN1-5 | Shield | | | | |

VGA



| CN1 | | | CN2 | | |
|---------|---------|--------|---------|---------|--------|
| Pin No. | Symbols | Color | Pin No. | Symbols | Color |
| 1 | R | Red | 1 | R | Red |
| 2 | R-GND | Black | 6 | R-GND | Black |
| 3 | G | Green | 2 | G | Green |
| 4 | G-GND | Black | 7 | G-GND | Black |
| 5 | B | Blue | 3 | B | Blue |
| 6 | B-GND | Black | 8 | B-GND | Black |
| 7 | SDA | Yellow | 12 | SDA | Yellow |
| 8 | HS | Orange | 13 | HS | Orange |
| 9 | VS | White | 14 | VS | White |
| 10 | SCL | Brown | 15 | SCL | Brown |

| Rev. | Reasons | Revised Date |
|------|---------|--------------|
| 1.0 | New Add | Jan-19-09 |
| | | |