

Open Frame LCD

USB Type-C Display

15"

Specifications



Model Name	R15L600-POC3-C
Panel Size	15"
Active Display Area (mm)	304.1 (H) x 228.1 (V)
Resolution	1024 x 768
Brightness (cd/m ²)	250 (Typical)
Contrast Ratio	2000:1 (Typical)
Viewing Angle (CR>=10)	-88~88 (H); -88~88 (V)
Display Colors	16.2M (6 bits/color)
Standard Input Signal	USB Type-C Connector
Touch Screen	Projected Capacitive Touch(USB) Protection Glass (Optional)
Speakers (Optional)*	2 x Speaker
OSD	5 Keys: -, +, Power, Esc, Enter
Power Source	USB Type-C Alt mode Power source needs to support 5V3A
Power Consumption	12W typical, Normal operation
Operating Temperature	0~50°C
Storage Temperature	-10~65°C
Accessories	1 x USB Type-C Cable
Certifications	CE, FCC

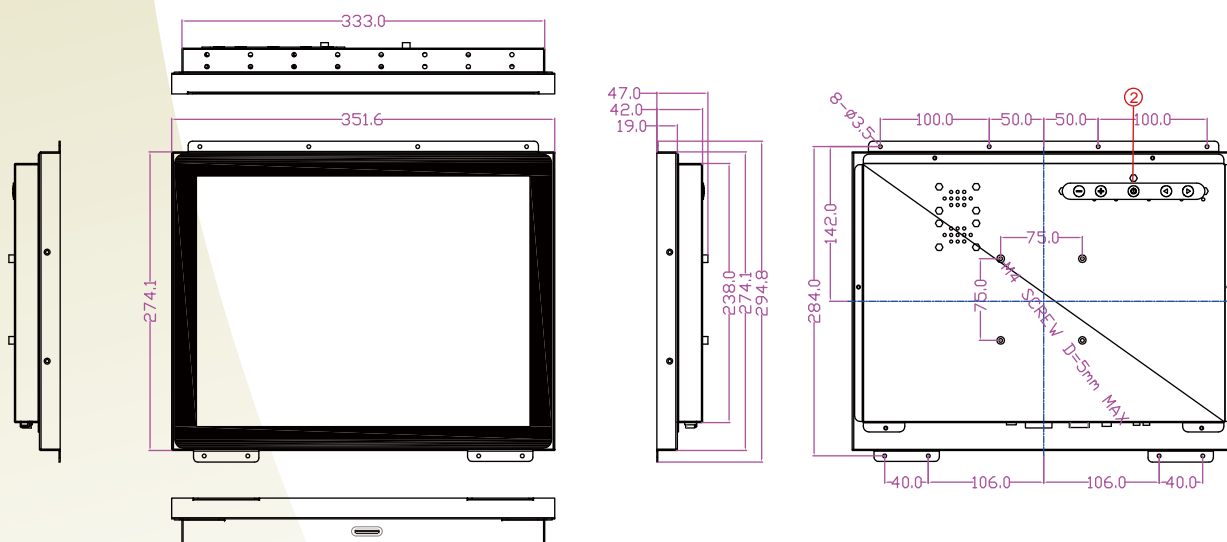


1. USB Type-C Connector
2. OSD Button

*Outside dimension and I/O will be different from standard.

*Note: If your order does not include the Audio/Speakers option, the digital input will not have voice.

Mechanical Drawing



UNIT:mm

* Note: The mechanical drawing may change when adding touch screen.
Please contact our sales representative if you need further product information.