

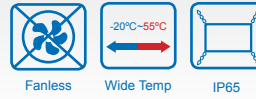
Rugged Display



Model:R15L100-VMA3HB

Product Features:

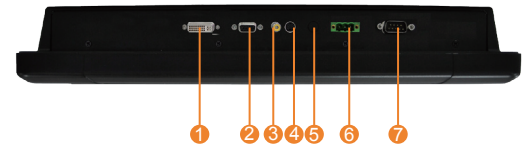
- High Quality 15" XGA panel, 1024 x 768 resolution, 1000 nits
- 5 Wire resistive touch screen
- -20 ~ +55°C Wide Range Operating Temperature
- Anti-Corrosion housing with Fanless Design
- Built-in ambient Light sensor
- IP65 Dust & Waterproof Protection (Except I/O ports)
- 9V ~ 36V DC Isolation Wide Range Power Input
- Compliance With EN50155



Product Specifications:

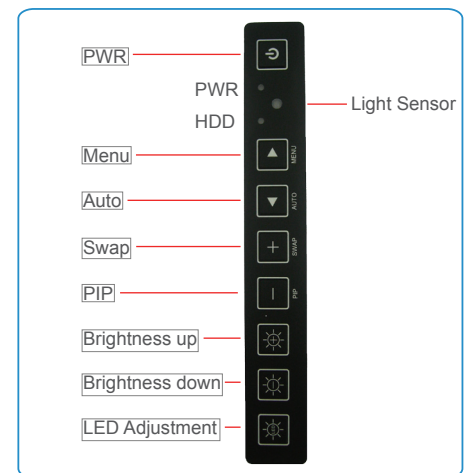
	Model Name	R15L100-VMA3HB
	Size	15"
Display	Resolution (pixels)	1024 x 768
	Number of Colors	16.2M (8 bit) / 262K (6 bit)
	Brightness (cd/m ²)	1000
	Contrast Ratio	700:1
	Viewing Angle	-80~80 (H) ; -60~80 (V)
	Active Area	304.1 (H) x 228.1 (V)
	Touch (optional)	5 wire resistive / Capacitive
	Input / Output	1 x DVI (Optional)
1 x VGA		
1 x Composite (Optional)		
1 x S-Video (Optional)		
1 x DC-in Lockable (Optional)		
1 x 9~36V Terminal Block (Default)		
1 x RS-232 for Touch (Optional)		
Environment	Operating Temperature	-20 ~ 55°C
	Storage Temperature	-30 ~ 70°C
	Humidity	10 ~ 95% non-condensing
	Shock	MIL810F/EN50155
	Vibration	MIL810F/EN50155
	EMC	CE, FCC ClassB, Compliance with EN50155
Mechanical	Safety	Compliance with EN50155, MIL-STD 810F
	Dimension(W x H x D)	398 x 308 x 58mm
Packing List	R2A AD Board User's Manual	
	Touch's Driver CD	
Product Optional Items	Signal Input	DVI-D, Composite Video, S-Video for optional
	Anti-Reflective Glass	3 mm (Replace touch)
	Mounting bracket	One robust bracket with locking handle (Can adjust from -5 deg. to 90 deg.)

I / O View:

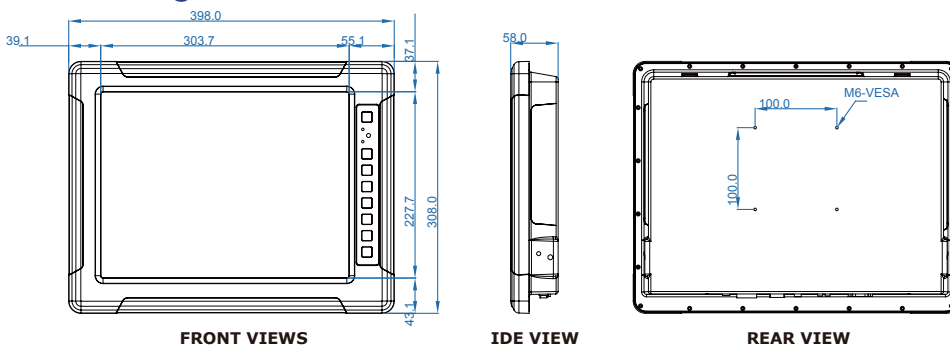


1. DVI (Optional)
2. VGA
3. Composite (Optional)
4. S-Video (Optional)
5. DC Lockable (Optional)
6. 9~36V DC Terminal Block (Default)
7. RS-232 for Touch (Optional)

Front OSD Control Function:



Drawing:

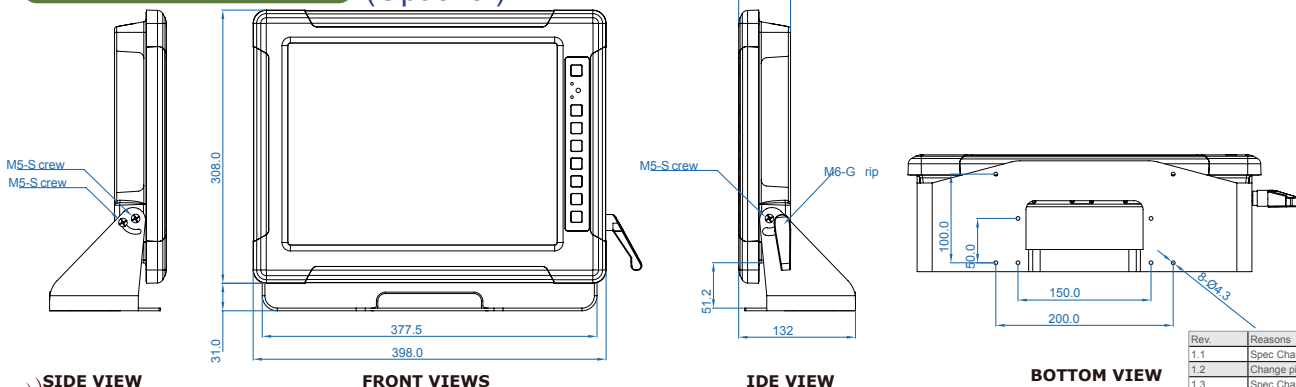


FRONT VIEWS

IDE VIEW

REAR VIEW

Drawing w / Mounting Bracket (Optional)



SIDE VIEW

FRONT VIEWS

IDE VIEW

BOTTOM VIEW

Rev.	Reasons	Revised Date
1.1	Spec Change	May.10.13
1.2	Change picture	Jun.05.13
1.3	Spec Change	Aug.22.13