

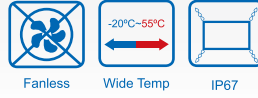
Rugged Display



Model: R15L100-67A3HB

Product Features:

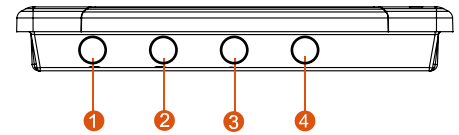
- High Quality 15" XGA Panel, 1024 x 768 resolution, 1000 nits
- Full IP67 Dust/Water-proof Protection
- Aluminum Housing with Anti-Corrosion Treatments
- Built-in ambient Light sensor
- Optical Bonding with Anti Moisture Treatments
- Anti-Shock and Vibration Standard according to IEC60068-2-27
- 5 Wire Resistive Touchscreen / Anti-Reflective Protection Glass
- 9V ~ 36V DC Isolation Wide Range Power Input
- Compliance With EN50155



Product Specifications:

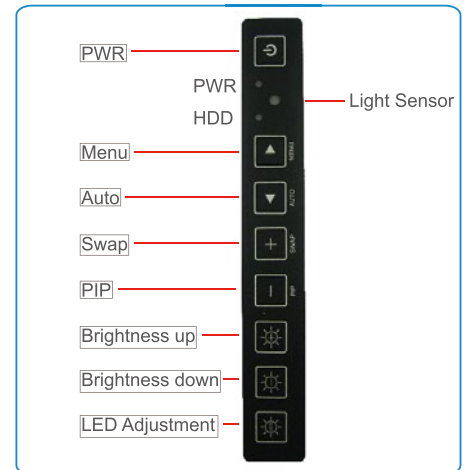
Display	Model Name	R15L100-67A3HB
	Size	15"
	Resolution (pixels)	1024 x 768
	Number of Colors	16.2M (8 bit) / 262K (6 bit)
	Brightness (cd/m ²)	1000
	Contrast Ratio	700:1
	Viewing Angle	-80~80(H) ; -60~80(V)
	Active Area	304.1 (H) x 228.1 (V)
Input / Output	Touch (optional)	5 Wire Resistive
	1 x VGA(IP67), 1 x DVI(IP67) for optional	
	1 x Power (IP67)	
	1 x Video (IP67) for optional	
Environment	1 x RS232 for touch (optional)	
	Power Input	DC 9 ~36V w/ lockable connector
	Power Consumption	35W typ.
	Operation Temperature	-20 deg.C to 55 deg.C
	Operation Humidity	10% to 95% (non condensing)
	Shock*	Operating:40g for 11ms
	Vibration*	Operating: 1.62/2.02/2.20g rms for XYZ / 5-500Hz
Certifications	CE, FCC ClassB, MIL810Ffor Vibration /Shock	
Mechanical	Dimensions (W x L x H)	398 mm x 308 mm x 58mm
	Mounting Bracket	One robust bracket with locking handle (Can adjust from -5 deg. to 90 deg.)

I / O View:

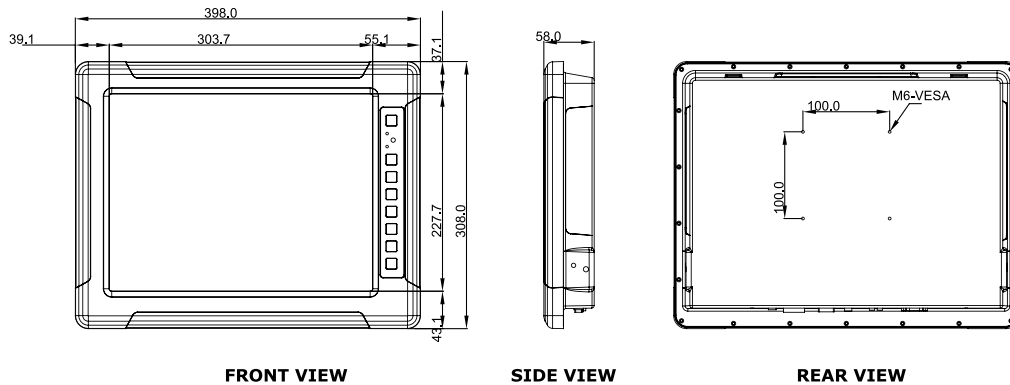


1. Power (M21, 3 Pin)
2. VGA (M21, 10 Pin)
DVI (M21, 15 Pin) for optional
3. Video (M21, 10 Pin) for optional
4. RS232 (M21, 10 Pin)

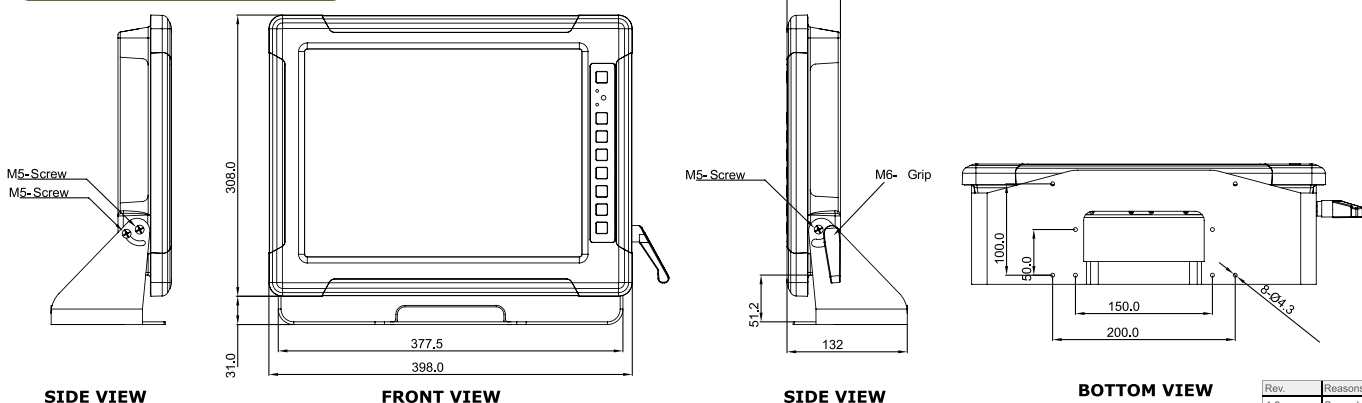
Front OSD Control Function:



Drawing:



Drawing w / Mounting Bracket (Optional)



Rev.	Reasons	Revised Date
1.8	Spec change	May 10 13
1.9	Pic Change	July 03 13
2.0	Spec change	Aug 22 13

