

Panel Mount LCD

10.4"

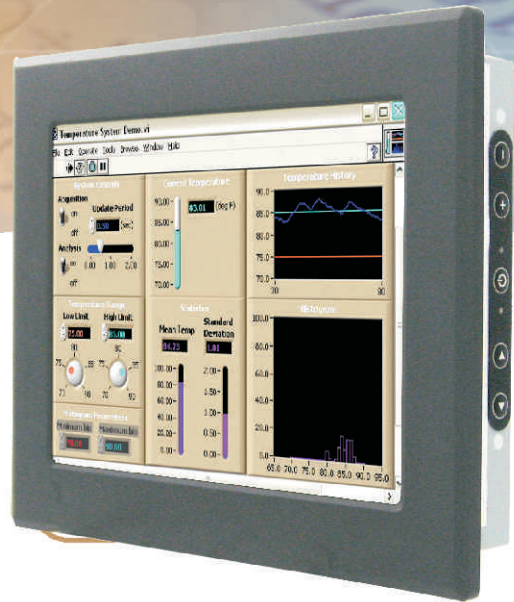
Specifications



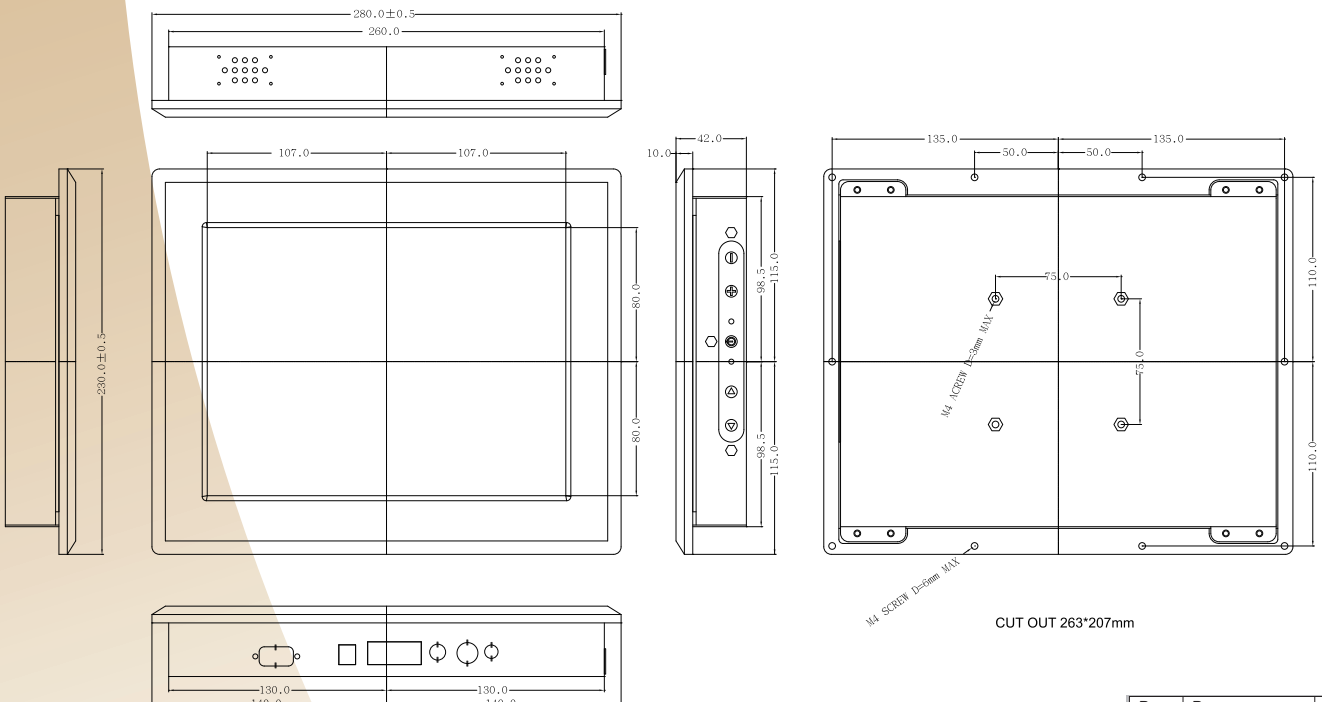
| | |
|--------------------------------|---|
| Model Name | R10L600-PMP1 |
| Viewable Size Image | 10.4" |
| Active Display Area(mm) | 211.2(H)x158.4(V) |
| Pixel Pitch(mm) | 0.264(H)x0.264(V)(typ.) |
| Number of Pixels | 800x600 |
| Contrast Ratio | 400 |
| Display Color | 262,144(6bit/colors) |
| Brightness(cd/m ²) | 400 |
| Viewing Angle(CR>=10) | -70~70(H);-60~70(V) |
| Synchronization Range | |
| Horizontal/Vertical | 31.5~46.9KHz/60~75Hz |
| Recommended Resolution | 800x600@60Hz, 75Hz |
| Signal Connector | 15 pin D-Sub |
| Power Source | 12V DC in, with External AC to DC Adapter (100~240V AC) |
| Power Consumption | 18W typical, normal operation |
| Power Management | VESA DPMS Compliant |
| Plug & Play | VESA DDC 1/2B |
| Optional Video Input | S-Video, Composite |
| Optional DVI Input | No |
| Optional Touch Screen | Resistive, SAW, IR |

Remarks: R10L600 series= VGA input only

R10L630 series= VGA+Video Input



Mechanical Drawing



* Note: this is a simplified drawing and some components are not marked in detail. Please contact our sales representative if you need further product information.

| Rev. | Reasons | Revised Date |
|------|----------------|--------------|
| 1.5 | Change new pic | Mar-11-13 |
| 1.6 | Pic Change | Jun-03-13 |
| 1.7 | Spec change | Nov-14-13 |