



## PRiSteel-Series

### Main Features:

- ▣ Stainless Steel Housing
- ▣ PCAP Multitouch or resistive Touch
- ▣ Monitor or Panel PC
- ▣ RFID Reader (optional)
- ▣ Flexible I/O and mounting Solutions



## PRiSteel-21

## IP 65 Rugged HMI Solution (RFID)

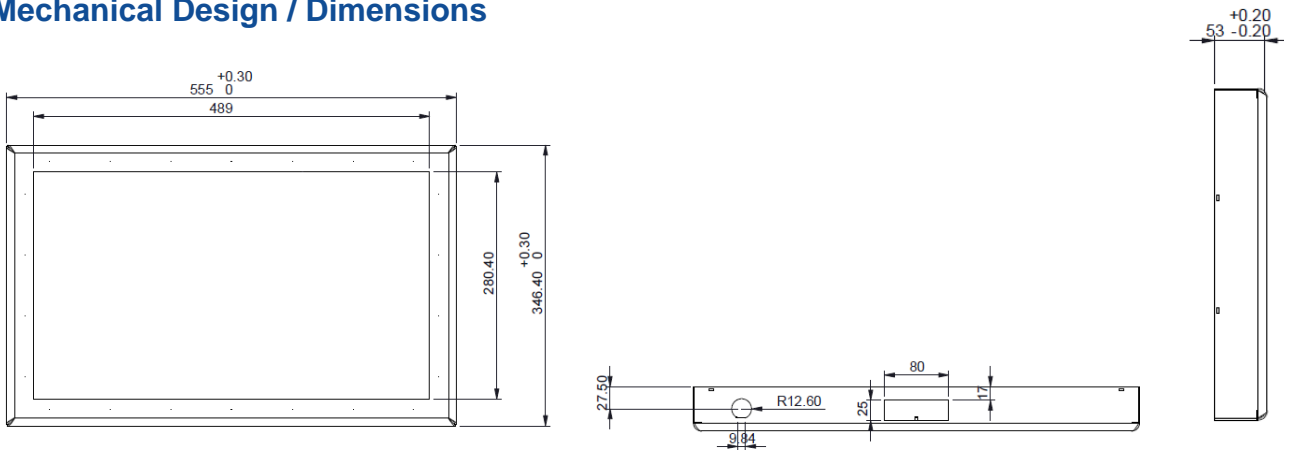
### Monitor specifications

Chassis	Material	Stainless steel 1.4301
	Protection	Front IP65
	Weight	Approx. 12 KG
	VESA	100 x 100
	Dimensions	579 x 373 x 55mm (L x H x W)
Panel	Display Size	21.5" LCD-TFT
	Max. Resolution / Ratio	1920x1080 (FHD) / 16:9
	Brightness, Contrast Ratio	300 nits, 5000:1
	Backlight	LED, 50'000 Hrs MTBF
	View angle, Vert./ Hor. -/+	89 / 89
I/O's (default)	Video	VGA, DVI
	Power Source	1 x 24V DC IN
	USB	1 x USB 2.0 (rear side)

### CPU specifications (optional)

CPU-Performance	Processor	Intel Atom E3827, Bay Trail-1 Dual Core
	Graphic	Intel® Gen 7 graphic engine supports DirectX 11, OpenGL 4.0
	Ethernet	Dual Intel® I210IT Gigabit Ethernet controller
	Storage	2.5" 60GB SSD MLC
	RAM	4GB RAM DDR2 240 Pin , 800MHz, EX-WH
I/O (default)	LAN	1 x GbE
	Power Source	1 x 24V DC IN
	USB	2 x USB 2.0 (rear side) 2 x USB 2.0 (downside) prepared for Bluetooth-Dongle
Additional Components	Serial RS232	D-Sub9 (rear side)
	RFID reader (optional)	PPC prepared for RFID reader (downside) Legic, Mifare, Proximity
OS Support	Windows	WES7E, WES7P, Win7Pro, WE8.1 industry Pro, WE8.1 Pro, WIN 10 IoT
	Linux	openSUSE 13.2, Ubuntu 14.4, Debian 8

## Mechanical Design / Dimensions



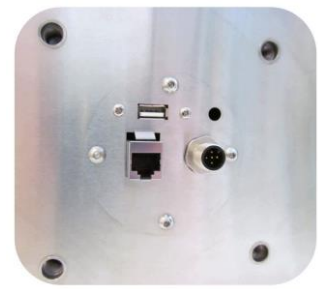
## I/O Configurations



**IP 65 / Connector Ports M12**  
Power Input, 24 V DC In,  
GbE (LAN), RS232 (5V DC, PIN 9),



**IP 54 Connector Ports**  
Power Input, 3PIN, 24 V DC In, Phoenix  
1 x RJ45, 2 x USB, RS232 D-Sub



**Support Shaft Integration**  
Power Input, 24 V DC In, M12  
1 x RJ45, 1 x USB



**IP65 Protected Dual USB-Port**



**2x USB Ports**



**IP65 protected Ports  
for Wireless applications**



**RFID reader (downside)**  
Legic, Mifare, Proximity

## Order Information (P/N)

Device	PRSteel 21DSP-RES PRSteel 21DSP-PCT PRSteel 21PPC-RES PRSteel 21PPC-PCT	Panel resistive Touch, Front IP 65 Panel resistive Touch, Front IP 65 Panel PC resistive Touch, Front IP65 Panel PC projected capacitive Touch, Front IP65
I/O Configuration	PRSteel 21xxx-xxx/IP54 PRSteel 21xxx-xxx/IP65 PRSteel 21xxx-xxx/SSI	Panel PC res Touch Front IP65 with closed back enclosure I/O IP54 Panel PC res Touch Front IP65 with closed back enclosure I/O IP65 Panel PC res Touch Front IP65 with closed back enclosure I/O SSH
Options	Customized cover lens	Logo Print, custom RAL color Bezel, (MOQ required)

\* Note: this is a simplified drawing and some components are not marked in detail.  
\*\* Please contact our sales representative if you need further product information.  
\*\*\* Note: All Specifications are subject to change without prior notice.